

ModICE®

ModICE® ME-RF Enclosures

ME and mini-ME with Integrated SMA

Technology

ModICE® is a line of connector enclosures that offers sealed packaging solutions for rugged electronic control modules.

mini-ME Enclosure



ME Enclosure



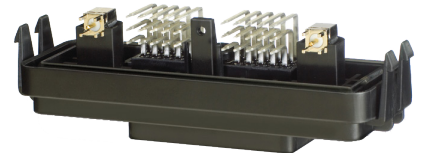
The ModICE® ME-RF Advantage

- ModICE® ME-RF offers a unique enclosure cover (header) with integrated SMA connectors for quick connect of antenna and other RF devices.
- Eliminate the need for complex machining and manual installation of coax connectors.

Product Offering

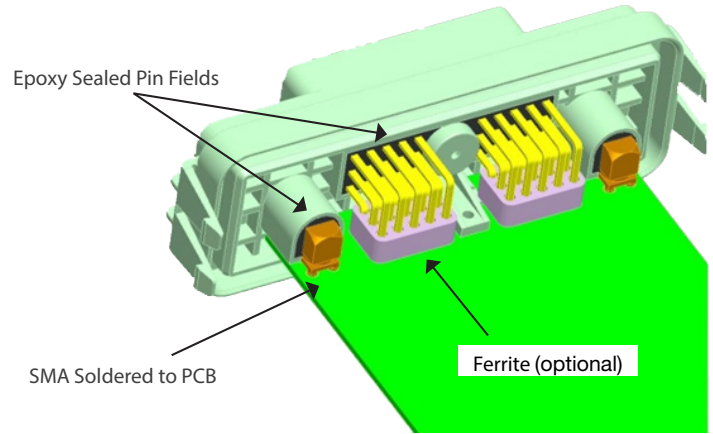
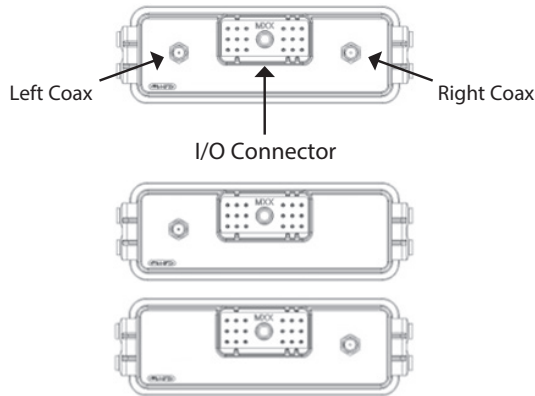
- 2 enclosure sizes
 - ME - PC board size 4 x 3.35" (103 x 85mm)
 - mini-ME - PC board size 3.35 x 2.5" (85mm x 63mm)
- Main connector - 18 or 30 I/O
- Coax connector - 1 or 2 SMA standard or reverse polarity
- SMA soldered to PC board

ME-RF Header



Parts and Configurations

Header Arrangement
(Face View – 18 I/O shown)



Performance Characteristics

Operating Temperature	-40°C to +85°C
Sealing	IP67, IP69K
Current Carrying Capacity (I/O Connector)	10 Amps
SMA	50 Ohm

Enclosure

5810130090	mini-ME	Standard Enclosure
5810130095	mini-ME	Enclosure with Breather
5810130065	ME	Standard Enclosure
5810130075	ME	Enclosure with Breather

Application Tooling

5991111652	Enclosure Closing Tool
5991111440	Enclosure Opening Tool

I/O Connector Harness Mate

5810118023	18 Pos.
5810130029	30 Pos.

Header	I/O Pos.	Ferrite	Left Coax	Right Coax
5810618001	18	No	RP-SMA	SMA
5810618002	18	Yes	RP-SMA	SMA
5810618003	18	No	n/a	SMA
5810618004	18	Yes	n/a	SMA
5810618005	18	No	RP-SMA	n/a
5810618006	18	Yes	RP-SMA	n/a
5810618007	18	No	RP-SMA	RP-SMA
5810618008	18	Yes	RP-SMA	RP-SMA
5810618009	18	No	SMA	SMA
5810618010	18	Yes	SMA	SMA
5810630001	30	No	RP-SMA	SMA
5810630002	30	Yes	RP-SMA	SMA
5810630003	30	No	n/a	SMA
5810630004	30	Yes	n/a	SMA
5810630005	30	No	RP-SMA	n/a
5810630006	30	Yes	RP-SMA	n/a
5810630007	30	No	RP-SMA	RP-SMA
5810630008	30	Yes	RP-SMA	RP-SMA
5810630009	30	No	SMA	SMA
5810630010	30	Yes	SMA	SMA



Asia Pacific
+86 21 5442 7668
ccs.asia.sales@as.cinch.com

Europe, Middle East & Africa
+44 (0) 1245 342060
CinchConnectivity@eu.cinch.com

North America
+1 630.705.6000
inquiry@us.cinch.com
belfuse.com/cinch