


Surge Arrester

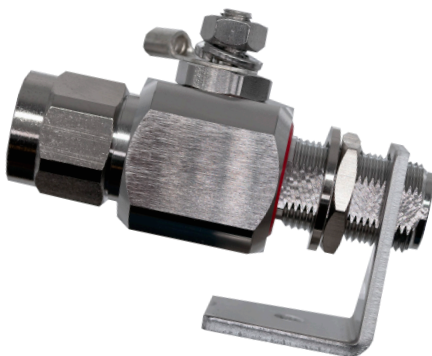
Commercial Grade

Surge Arrester for Commercial Applications

Power surges or indirect lightning strikes can create network problems by causing network downtimes with potential of millions of dollars of revenue losses. Midwest Microwave surge arresters can protect networks from surges without sacrificing RF performance. Midwest surge arresters can be used to protect cellular base stations, public safety systems, Wi-Fi networks, active antenna systems, and 5G or GPS applications.

Features

- DC - 3 GHz Frequency Range
- VSWR of 1.2
- Insertion loss of 0.3 dB
- Surge capability 8/20 μ s of 10 kA nominal
- Multi-strike lightning capability
- Tri-alloy plated brass construction
- RoHS compliant 

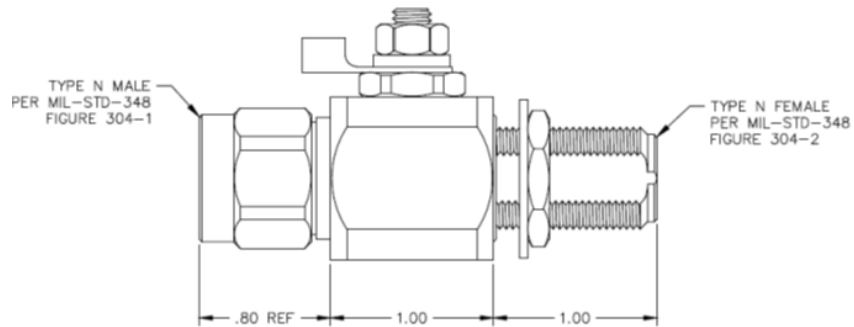


Applications

- Cellular base stations
- Public safety systems
- Wi-Fi networks
- Active antenna systems
- 5G networks
- GPS systems

Part Number	Description
CGS-1030-00-NNN-34	Commercial grade surge arrester, 3 GHz, N male to N female

Surge Arrester Specifications



Materials

Housing	Tri-alloy plated brass
Coupling nut	Tri-alloy plated brass
Male Center Contact	Gold-plated brass
Female Center Contact	Gold-plated beryllium copper

Electrical

Frequency Range	DC - 2.5 GHz	2.5 - 3 GHz
Insertion Loss	0.25 dB	0.3 dB
Impedance	50Ω nominal	
VSWR	1.20:1 maximum	
Surge Capability, 8/20 μs	10 kA nominal	



Asia-Pacific
+86 21 5442 7668
ccs.asia.sales@as.cinch.com

Europe, Middle East
+44 (0) 1245 342060
CinchConnectivity@eu.cinch.com

North America
+1 507 833 8822
ccsorders@us.cinch.com

belfuse.com/cinch