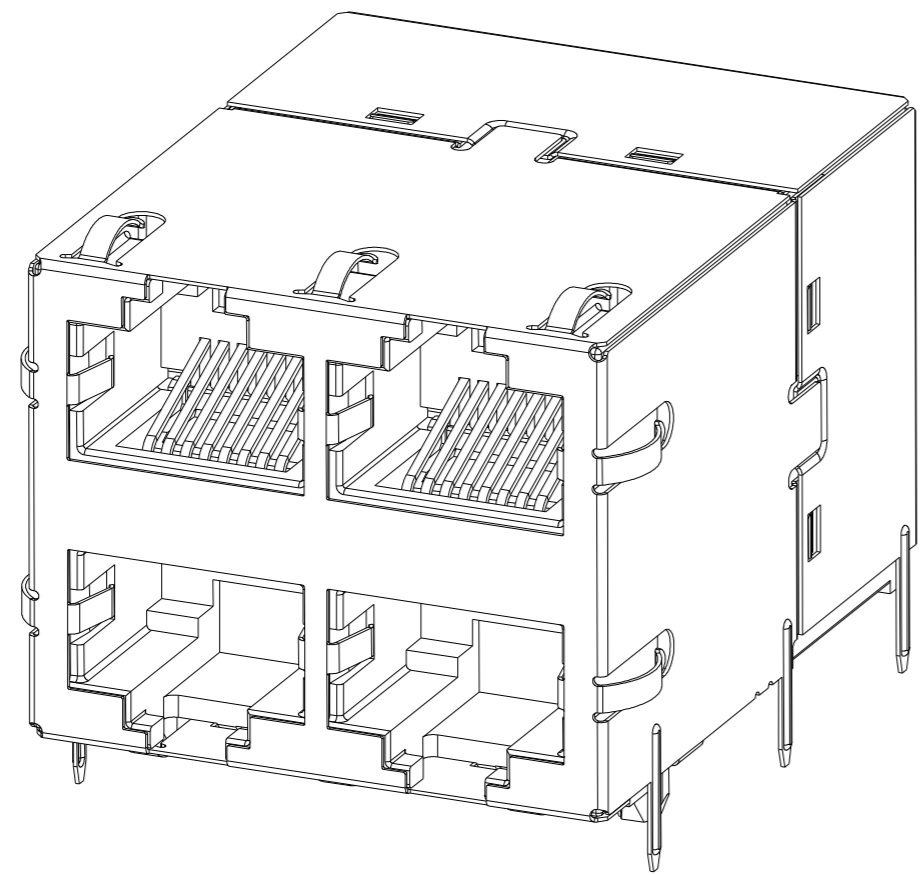


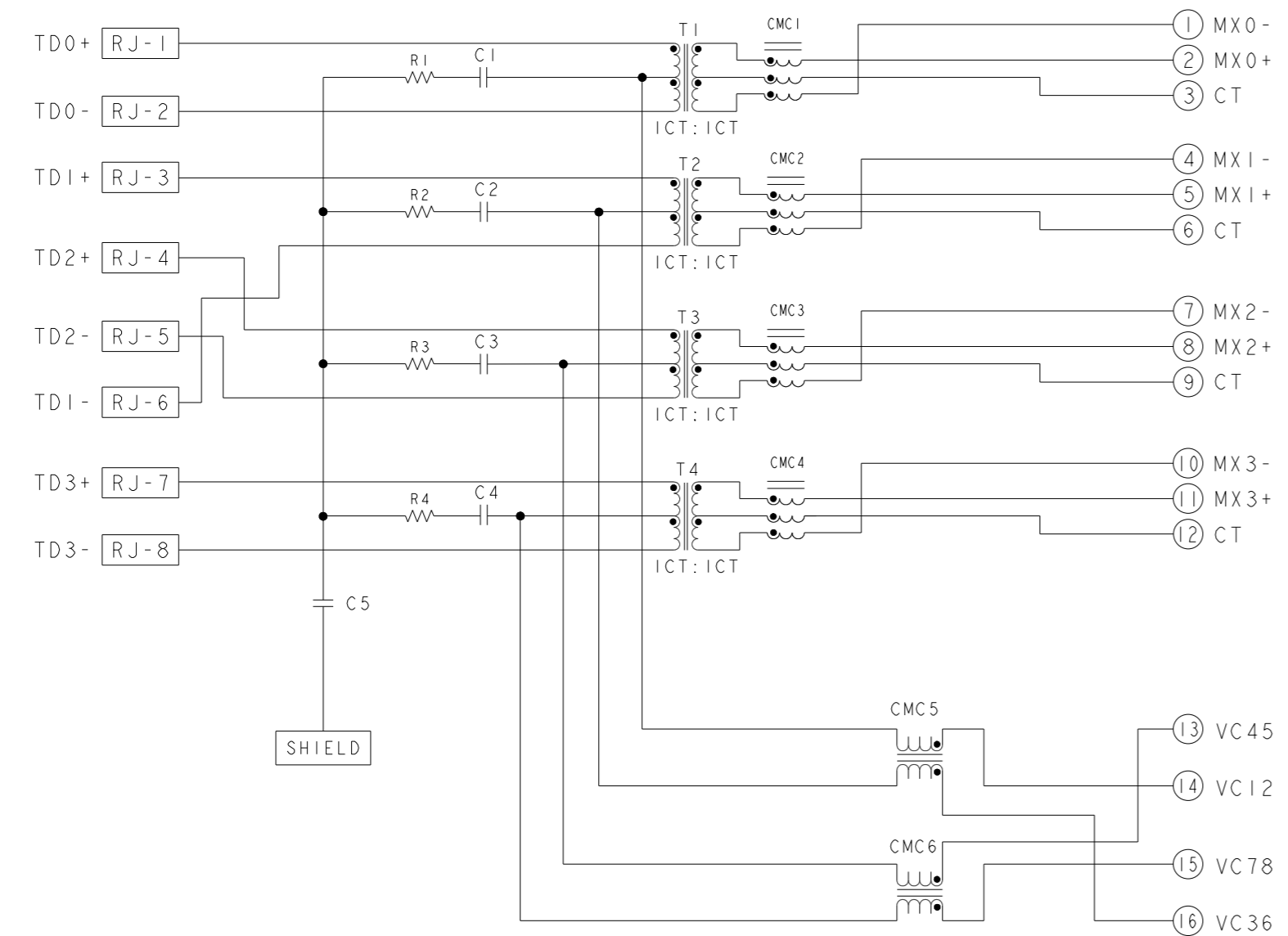
THIS DRAWING AND THE SUBJECT MATTER SHOWN THEREON ARE CONFIDENTIAL AND THE PROPERTY OF BEL/STEWART/TRP CONNECTOR AND SHALL NOT BE REPRODUCED, COPIED, OR USED IN ANY MANNER WITHOUT THE WRITTEN CONSENT OF TRP CONNECTOR.

PRODUCT MAY BE PROTECTED BY ONE OR MORE OF THE FOLLOWING US PATENTS:
 5736910 5939955 6425781 6428361 6554638 6840817 7123117
 7429195 7717749 7808751 6217391 6149050 7924130

REVISIONS				
P	LYR	DESCRIPTION	DATE	APPD
2		SEE FINAL SHEET	21APR2023	RL TY



S9UFG04ET 5G 4PPOE CIRCUIT Δ Δ
 TOP AND BOTTOM PORTS



C1-C4 = 22nF, 100V, CAPACITORS
 C5 = 1000pF, 2kV, CAPACITOR
 R1-R4 = 75 Ohms, 1/16W, RESISTORS

1. MATERIALS:
 PLASTIC HOUSING: BLACK, THERMOPLASTIC FLAMMABILITY RATING UL 94V-0
 SHIELD: BRASS OR STAINLESS STEEL, PREPLATED WITH 0.76um MIN SEMI-BRIGHT NICKEL,
 POST DIPPED WITH 2.54um MIN SAC SOLDER OR PURE TIN SOLDER DIP
 ON SOLDER TAILS,
 CONTACTS: PHOSPHOR BRONZE, 1.27um MIN OVERALL NICKEL
 UNDERPLATE WITH SELECT 1.27um MIN GOLD AT MATING INTERFACE AND
 2.54um MIN MATTE TIN ON SOLDER TAILS.

Δ MAGNETICS
 APPLICATION: 5G BASE-T, 4PPOE
 IMPEDANCE: 100 OHMS
 TURNS RATIO (CHIP:CABLE): 1:1 ALL FOUR PAIRS
 OPEN CIRCUIT INDUCTANCE (OCL):
 ALL CHANNELS 180uH MIN @ 100KHz, 0.1 VRMS WITH 8mA DC BIAS,
 120uH MIN @ 100KHz, 0.1 VRMS WITH 23mA DC BIAS
 ALL FOUR PAIRS BI-DIRECTIONAL
 POE CURRENT: 1A DC MAX
 PERFORMANCE @ 25°C (WHERE f IS FREQUENCY IN MHZ)
 (a) INSERTION LOSS (IL):
 1 MHZ TO 300 MHZ -0.5-1.3*(f-1)/400 dB MIN
 (b) RETURN LOSS (RL):
 1 MHZ TO 50 MHZ -18 dB MAX
 50 MHZ TO 200 MHZ -18 + 8LOG10(f/50) dB MAX
 200 MHZ TO 300 MHZ -13 + 30LOG10(f/200) dB MAX
 (c) CROSSTALK ATTENUATION:
 1 MHZ TO 300 MHZ -20 dB MAX
 (d) COMMON MODE REJECTION:
 1 MHZ TO 500 MHZ -16 dB MAX
 ISOLATION VOLTAGE: 2250VDC(MAX) FOR 60 SECONDS WITH A RISE TIME OF
 500V/SEC AND WITH ALL PORTS CONNECTED.

Δ PART NUMBER, DATE CODE AND COUNTRY OF ORIGIN ARE
 LOCATED IN APPROXIMATE AREA SHOWN.
 DATE CODE: YYWW WHERE "YY" IS YEAR, "WW" IS WORK WEEK, "D" IS DAY
 OF WEEK, WITH SUNDAY =1

Δ TRP CONNECTOR LOGO AND AGENCY APPROVAL LOGO ARE
 LOCATED IN APPROXIMATE AREA SHOWN.

5. OPERATING TEMP: FROM -40°C TO 85°C.
 6. RJ45 CAVITY CONFORMS TO FCC RULES AND REGULATION PART 68 SUBPART F.

Δ INDICATED MAGNETIC CONNECTIONS ARE SYMMETRICAL AND
 SUPPORT AUTO-MDI/MDIX.

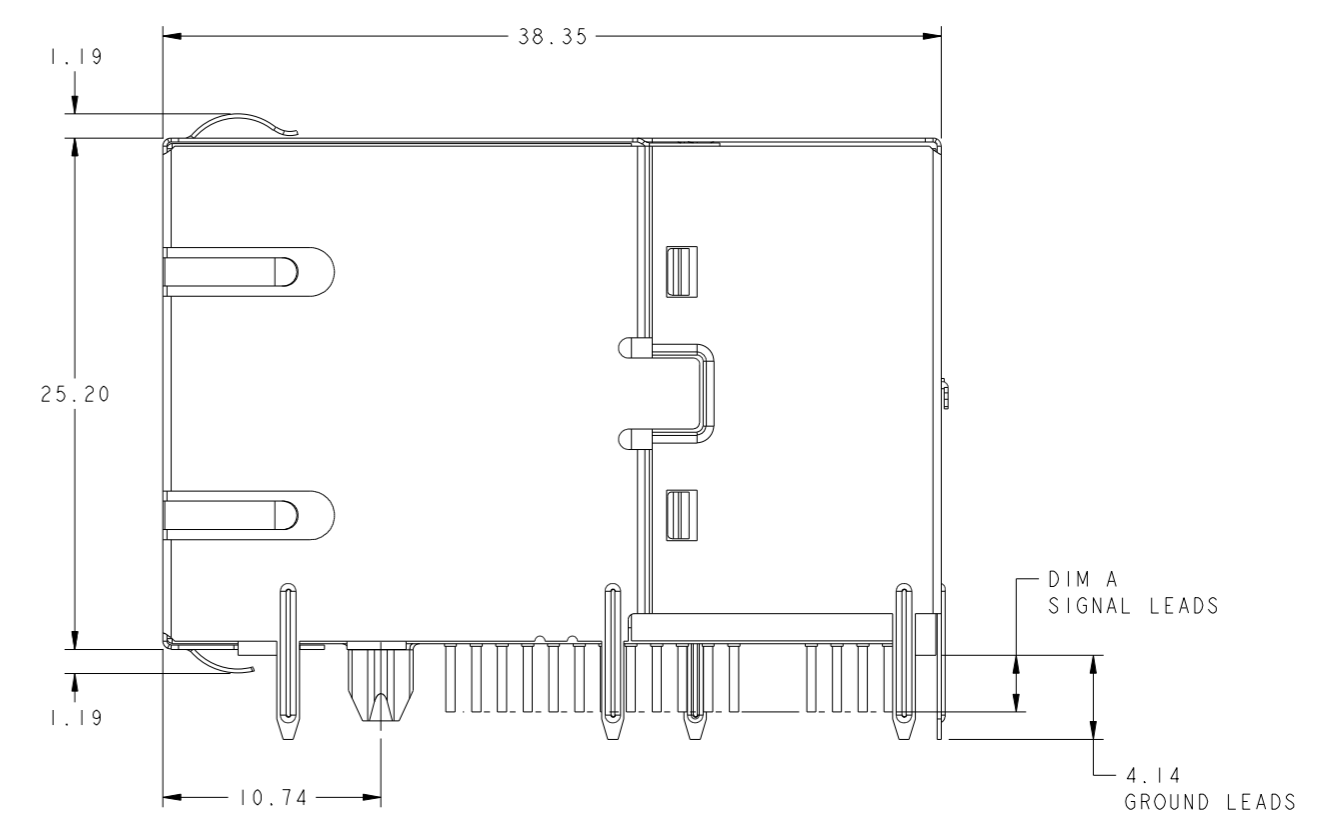
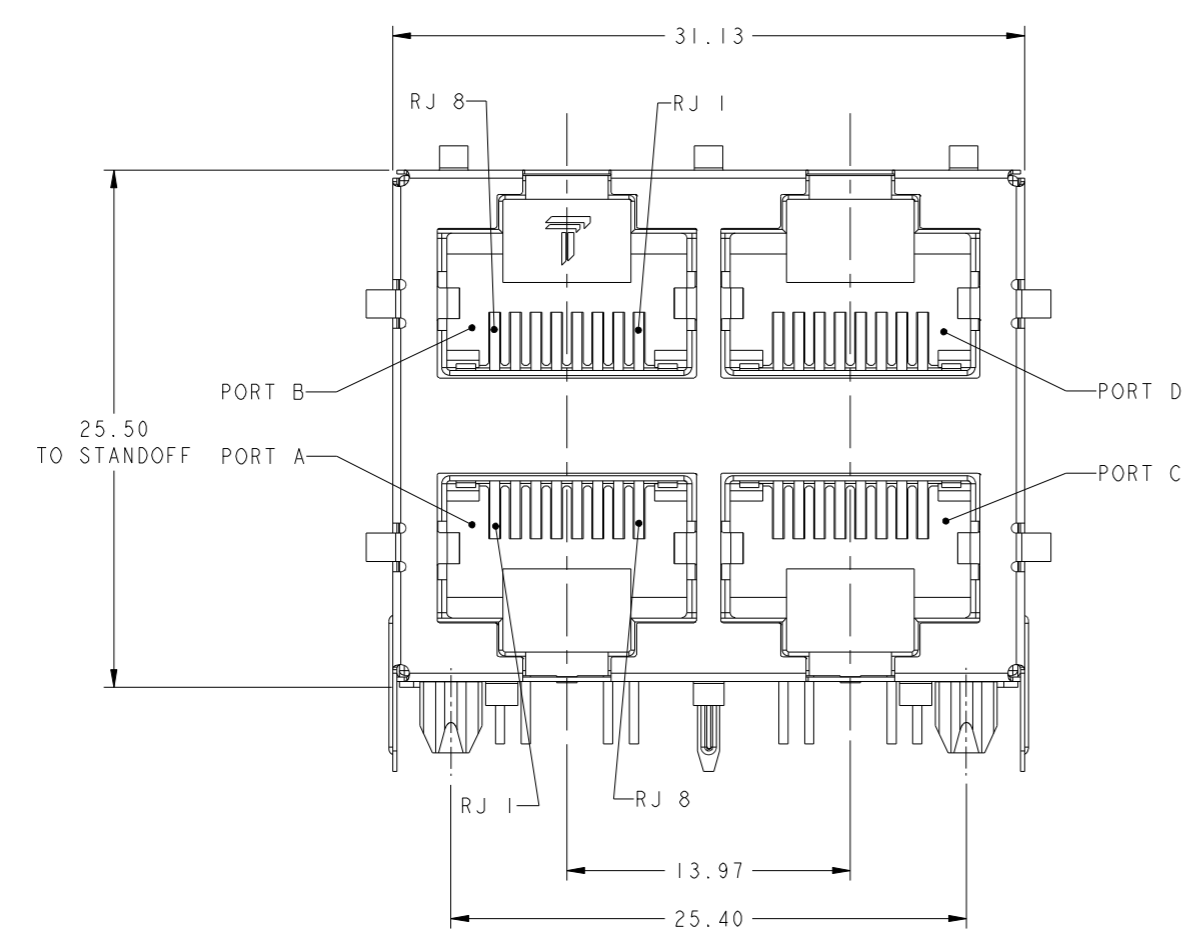
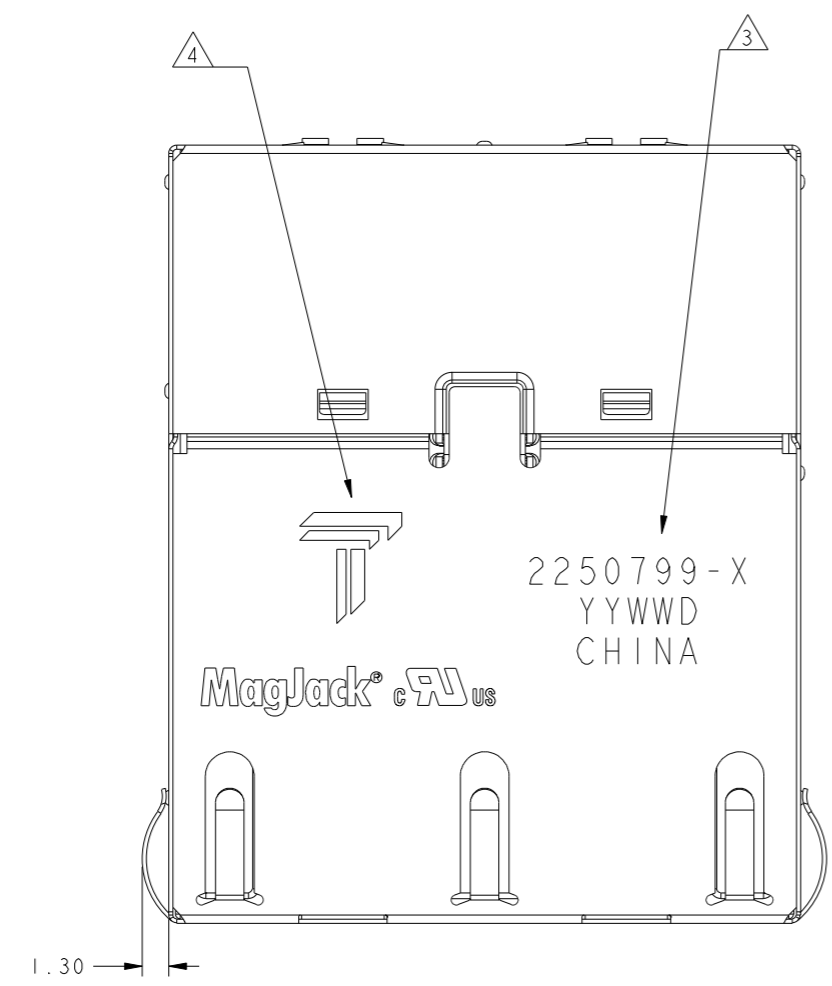
Δ DATUM AND BASIC DIMENSION ESTABLISHED BY CUSTOMER.

Δ BASIC DIMENSION ESTABLISHED BY CUSTOMER, BUT MAY NOT BE
 GREATER THAN 5.08mm.

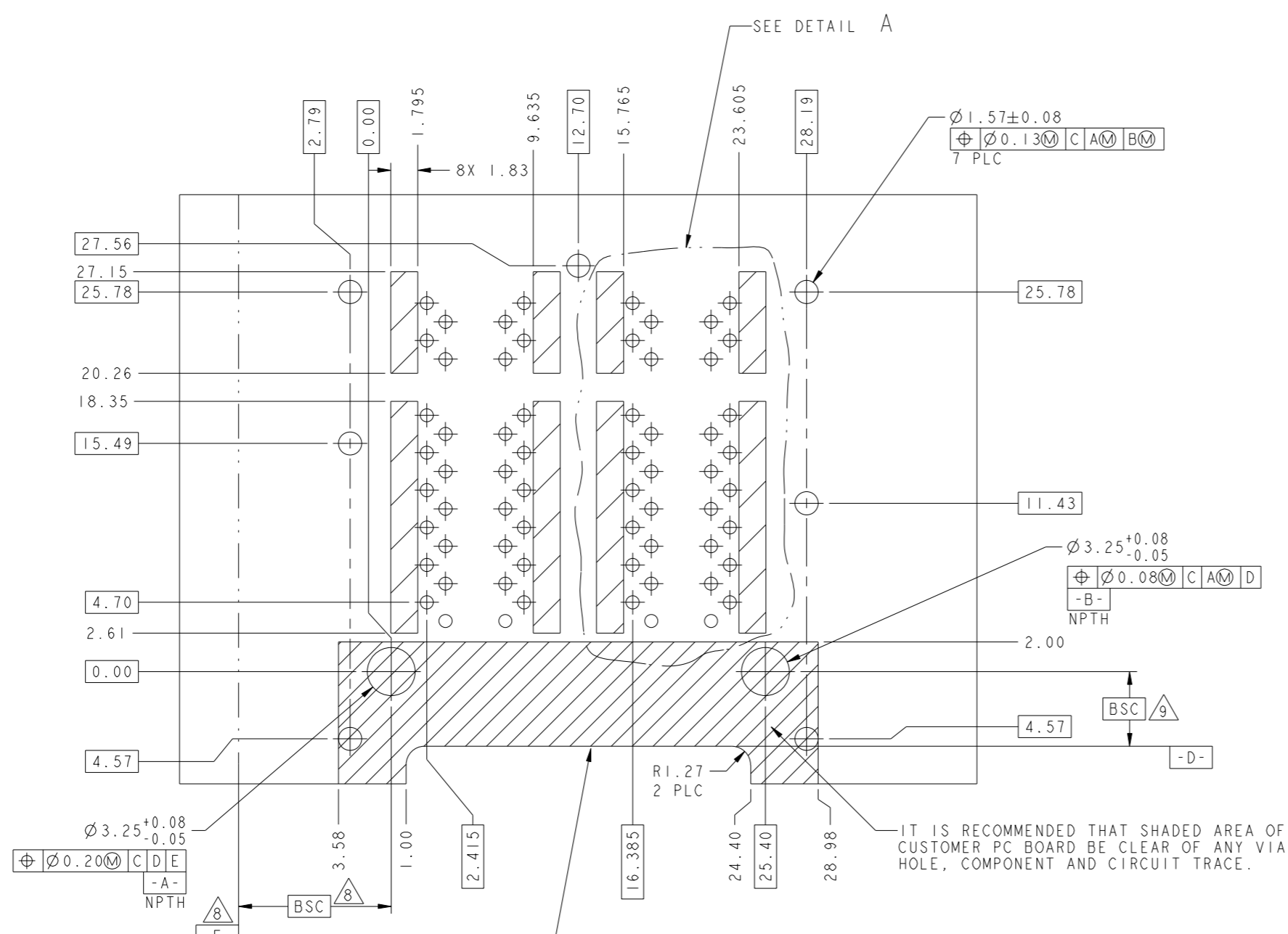
10. THE PARTS ARE RECOMMENDED FOR WAVE SOLDERING PROCESS,
 PEAK TEMPERATURE 260°C MAX, 10 SECONDS MAX.

2.50	2250799-1
DIM A	PART NUMBER

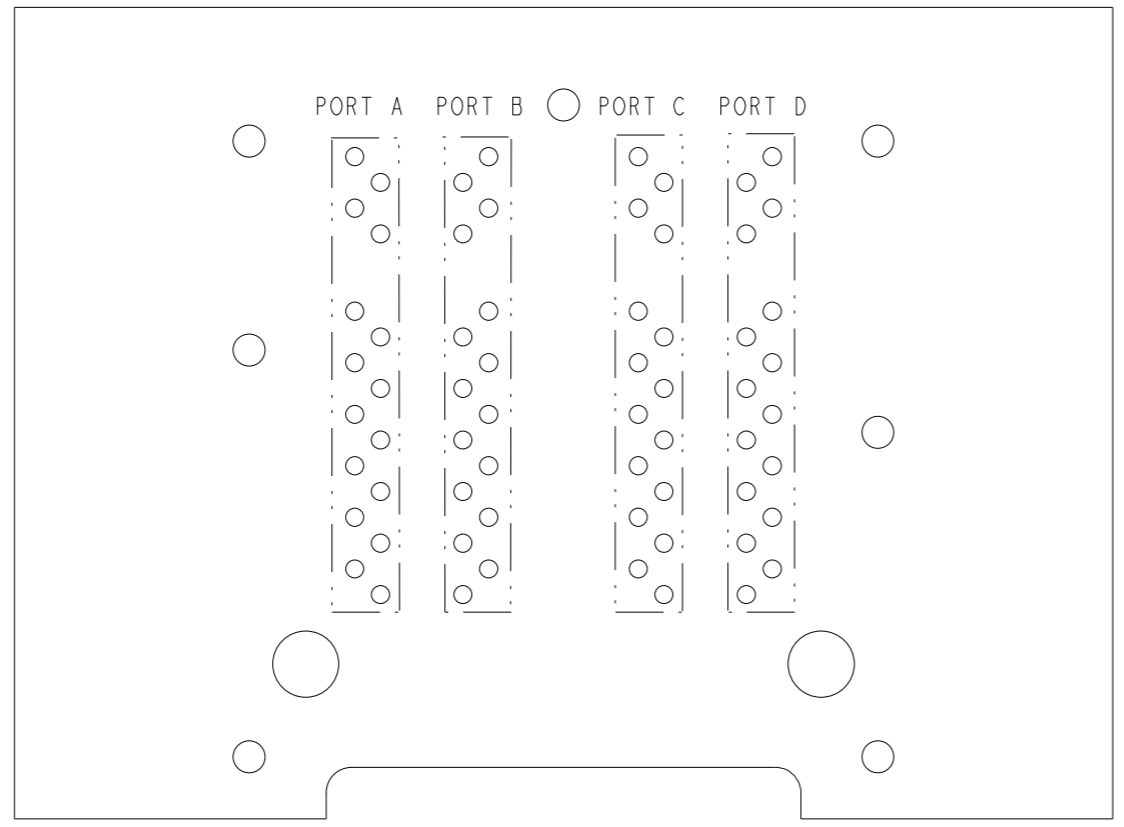
THIS DRAWING IS A CONTROLLED DOCUMENT. AND COMPLIANT TO ASME Y14.5M		OWN: PETER QIU 27JAN2022	 TRP CONNECTOR a bel group DONGGUAN CHINA
DIMENSIONS: mm		CHK: TERRY LIN 27JAN2022	
TOLERANCES UNLESS OTHERWISE SPECIFIED:		APPD: TONY YUAN 27JAN2022	DESC: 2X2 S9UFG04ET 5G 4PPOE 100W CIRCUIT
0 PLC ±0.25 1 PLC ±0.25 2 PLC ±0.25 3 PLC ± 4 PLC ± ANGLES ± APPLICATION SPEC		MODEL NAME: MAGJACK STACK 4PPOE	RESTRICTED TO
PRODUCT SPEC: 108-104004		SCALE: NTS	SHEET 1 OF 5 REV 2



THIS DRAWING IS A CONTROLLED DOCUMENT AND COMPLIANT TO ASME Y14.5M		DNW: PETER QIU 27JAN2022		DONGGUAN CHINA
DIMENSIONS: mm		CHK: TERRY LIN 27JAN2022		
TOLERANCES UNLESS OTHERWISE SPECIFIED:		APVD: TONY YUAN 27JAN2022	a bel group	
0 PLC	±0.25	MODEL NAME		
1 PLC	±0.25	MAGJACK		
2 PLC	±0.25	STACK 4PPOE		
3 PLC	±	SIZE CAGE CODE DRAWING NO		
4 PLC	±	A1 C=2250799		
ANGLES	±	RESTRICTED TO		
APPLICATION SPEC	-	CUSTOMER DRAWING		
PRODUCT SPEC 108-104004		SCALE NTS		SHEET 2 OF 5 REV 2

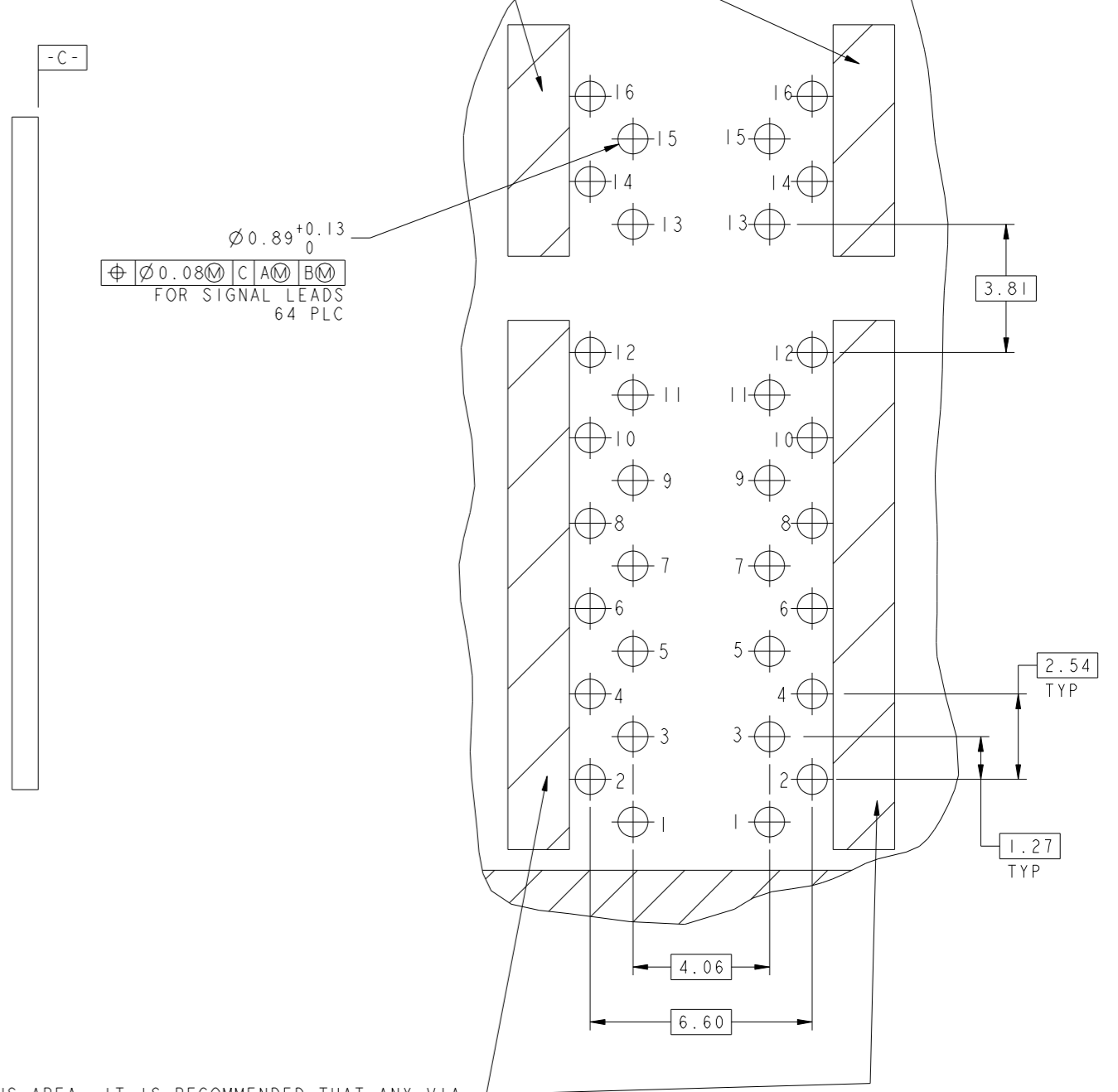


**RECOMMENDED PCB LAYOUT
 COMPONENT SIDE VIEW**




**PORT ASSIGNMENT
 COMPONENT SIDE VIEW**

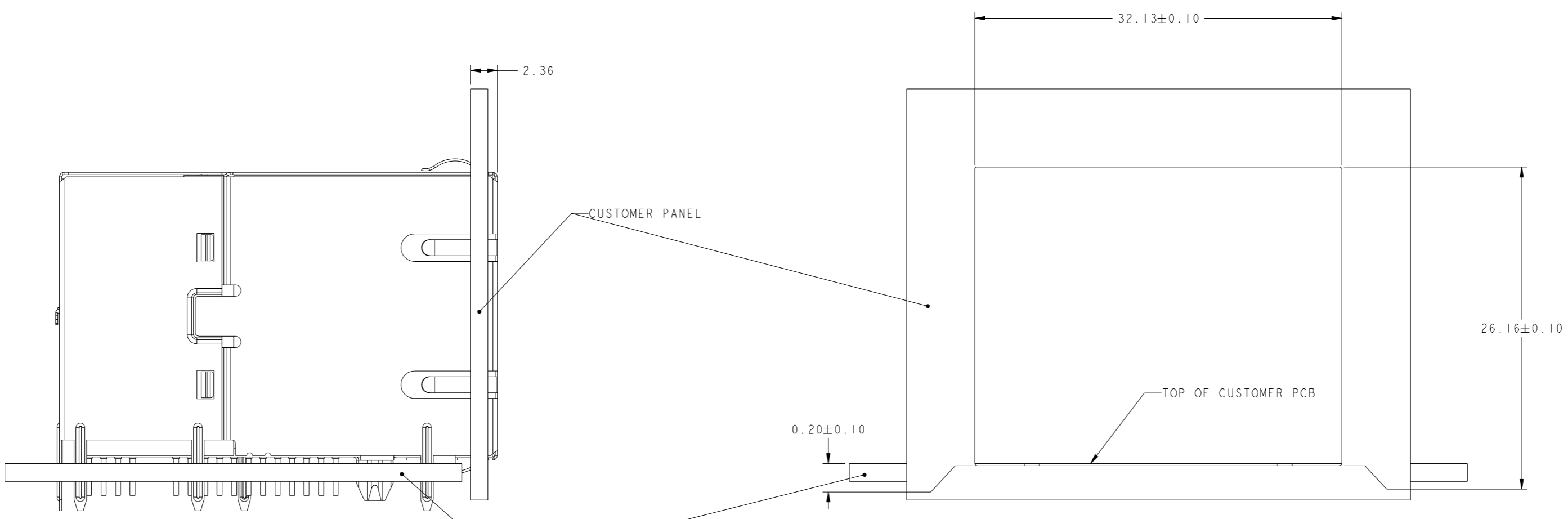
POE STUB PINS AREA, IT IS RECOMMENDED THAT ANY VIA HOLES, TRACES WHICH HAVE EQUAL POTENTIAL AS THE PHY SIDE SIGNALS OR GROUND SHOULD HAVE ENOUGH CLEARANCE FROM THE SHADED AREA FOR ISOLATION VOLTAGE.



PHY SIDE STUB PINS AREA, IT IS RECOMMENDED THAT ANY VIA HOLES, TRACES WHICH HAVE EQUAL POTENTIAL AS THE CABLE SIDE SIGNAL OR POE SIGNAL SHOULD HAVE ENOUGH CLEARANCE FROM THE SHADED AREA FOR ISOLATION VOLTAGE.

**DETAIL A
 SCALE 8:1**

THIS DRAWING IS A CONTROLLED DOCUMENT AND COMPLIANT TO ASME Y14.5M		OWN: PETER QIU 27JAN2022	 trp CONNECTOR a bel group DONGGUAN CHINA
DIMENSIONS: mm		CHK: TERRY LIN 27JAN2022	
TOLERANCES UNLESS OTHERWISE SPECIFIED:		APPR: TONY YUAN 27JAN2022	DESC: 2X2 S9UFG04ET 5G 4PPOE 100W CIRCUIT
0 PLC ±0.25 1 PLC ±0.25 2 PLC ±0.25 3 PLC ± 4 PLC ± ANGLES ± APPLICATION SPEC		MODEL NAME: MAGJACK STACK 4PPOE	RESTRICTED TO
PRODUCT SPEC: 108-104004		SCALE: A1	CAGE CODE: 2250799
		CUSTOMER DRAWING	SCALE: NTS SHEET 3 OF 5 REV 2


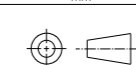


SHOWN WITH PANEL AND CUSTOMER PCB ASSEMBLY

SUGGESTED PANEL CUTOUT DIMENSIONS

THIS DRAWING IS A CONTROLLED DOCUMENT. AND COMPLIANT TO ASME Y14.5M		DWN: PETER QIU 27JAN2022 CHK: TERRY LIN 27JAN2022 APVD: TONY YUAN 27JAN2022	DONGGUAN CHINA a bel group
DIMENSIONS: mm 	TOLERANCES UNLESS OTHERWISE SPECIFIED: 0 PLC ±0.25 1 PLC ±0.25 2 PLC ±0.25 3 PLC ± 4 PLC ± ANGLES ± APPLICATION SPEC -	MODEL NAME: MAGJACK STACK 4PPOE	
PRODUCT SPEC: 108-104004		CUSTOMER DRAWING	SCALE: NTS SHEET: 4 OF 5 REV: 2

2250799					STOCK DISPOSITION			
2X2 S9UFG04ET 5G 4PPOE 100W CIRCUIT, W/O LED					A: CONTINUE AS IS		D: USE OLD FIRST	
					B: REWORK		E: PARTS TO CONFORM	
					C: SCRAP		F: OTHER	
REVISION HISTORY								
DATE	REV	CHANGES	REASON	APPROVAL	INVENTORY (A,B,C,D,E,F)	WORK IN PROCESS (A,B,C,F)	SUPPLIER ORDERS (A,E,F)	OPEN CUST ORDERS (A,E,F)
27JAN2022	1	-	INITIAL RELEASE	TY	-	-	-	-
21APR2023	2	CHANGE THE SIGNAL LEADS LENGTH TO 2.50	CUSTOMER REQUEST	TY	-	-	-	-

THIS DRAWING IS A CONTROLLED DOCUMENT. AND COMPLIANT TO ASME Y14.5M		DNW: PETER QIU 27JAN2022	 trp CONNECTOR a bel group DONGGUAN CHINA
DIMENSIONS: mm		CHK: TERRY LIN 27JAN2022	
TOLERANCES UNLESS OTHERWISE SPECIFIED: 0 PLC ±0.25 1 PLC ±0.25 2 PLC ±0.25 3 PLC ± 4 PLC ± ANGLES ± APPLICATION SPEC -		APPR: TONY YUAN 27JAN2022	
 PRODUCT SPEC 108-104004	MODEL NAME MAGJACK STACK 4PPOE	DESC 2X2 S9UFG04ET 5G 4PPOE 100W CIRCUIT	SIZE: A1 CAGE CODE: C=2250799 DRAWING NO: 2250799 RESTRICTED TO: CUSTOMER DRAWING
		SCALE: NTS	SHEET 5 OF 5 REV 2