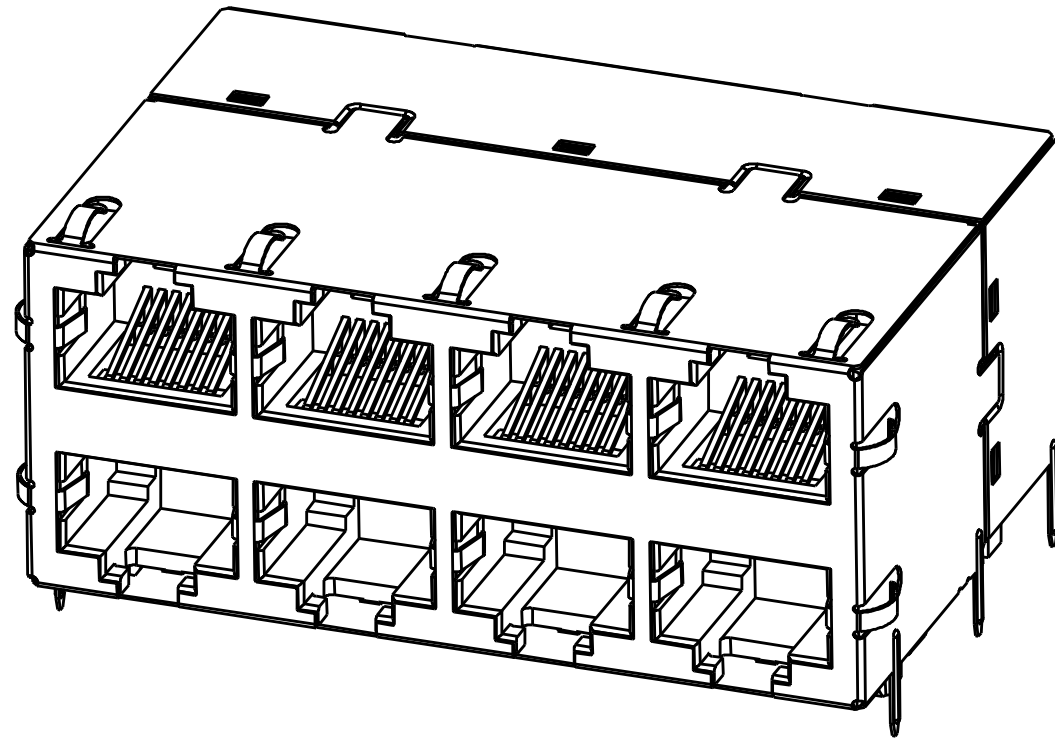


THIS DRAWING AND THE SUBJECT MATTER SHOWN THEREON ARE CONFIDENTIAL AND THE PROPERTY OF BEL/STEWART/TRP CONNECTOR AND SHALL NOT BE REPRODUCED, COPIED, OR USED IN ANY MANNER WITHOUT THE WRITTEN CONSENT OF TRP CONNECTOR.

PRODUCT MAY BE PROTECTED BY ONE OR MORE OF THE FOLLOWING US PATENTS:
 5736910 5939955 6425781 6428361 6554638 6840817 7123117
 7429195 7717749 7808751 6217391 6149050 7924130

REVISIONS				
REV	DATE	BY	APP'D	DESCRIPTION
3	250C12019	CZ	TY	SEE LAST SHEET



1. MATERIALS:
 PLASTIC HOUSING: BLACK, THERMOPLASTIC FLAMMABILITY RATING UL 94V-0
 SHIELD: BRASS OR STAINLESS STEEL, PREPLATED WITH 0.76um MIN SEMI-BRIGHT NICKEL, POST DIPPED WITH 2.54um MIN SAC SOLDER OR PURE TIN SOLDER DIP ON SOLDER TAILS,
 CONTACTS: PHOSPHOR BRONZE, 1.27um MIN OVERALL NICKEL UNDERPLATE WITH SELECT 1.27um MIN GOLD AT MATING INTERFACE AND 2.54um MIN MATTE TIN ON SOLDER TAILS.

2. MAGNETICS (PORTS A-D)
 APPLICATION: GIGABIT BASE-T, 4PPOE
 IMPEDANCE: 100 OHMS
 TURNS RATIO (CHIP:CABLE): 1:1 ALL FOUR PAIRS
 OPEN CIRCUIT INDUCTANCE (OCL):
 ALL CHANNELS 350uH MIN @ 100kHz, 0.1 VRMS WITH 8mA DC BIAS,
 120uH MIN @ 100kHz, 0.1 VRMS WITH 23mA DC BIAS
 ALL FOUR PAIRS BI-DIRECTIONAL
 POE CURRENT: 1A DC MAX
 PERFORMANCE @ 25°C:
 INSERTION LOSS (IL): 1.1dB MAX FROM 0.5MHz TO 100MHz
 RETURN LOSS (RL): 18dB MIN FROM 0.5MHz TO 40MHz
 12-20LOG(f/80)dB MIN FROM 40.1MHz TO 100MHz
 CROSSTALK ATTENUATION: 35dB MIN FROM 0.5MHz TO 40MHz
 33-20LOG(f/50)dB MIN FROM 40.1MHz TO 100MHz
 COMMON MODE REJECTION RATIO (CMRR): 30dB MIN FROM 0.5MHz TO 100MHz
 ISOLATION VOLTAGE: 2250VDC(MAX) FOR 60 SECONDS WITH A RISE TIME OF 500V/SEC AND WITH ALL PORTS CONNECTED.

3. PART NUMBER, DATE CODE AND COUNTRY OF ORIGIN ARE LOCATED IN APPROXIMATE AREA SHOWN.
 DATE CODE: YYWW WHERE "YY" IS YEAR, "WW" IS WORK WEEK, "D" IS DAY OF WEEK, WITH SUNDAY = 1

4. TRP CONNECTOR LOGO AND AGENCY APPROVAL LOGO ARE LOCATED IN APPROXIMATE AREA SHOWN.

5. OPERATING TEMP: FROM -40°C TO +85°C.

6. RJ45 CAVITY CONFORMS TO FCC RULES AND REGULATION PART 68 SUBPART F.

7. INDICATED MAGNETIC CONNECTIONS ARE SYMMETRICAL AND SUPPORT AUTO-MDI/MDIX.

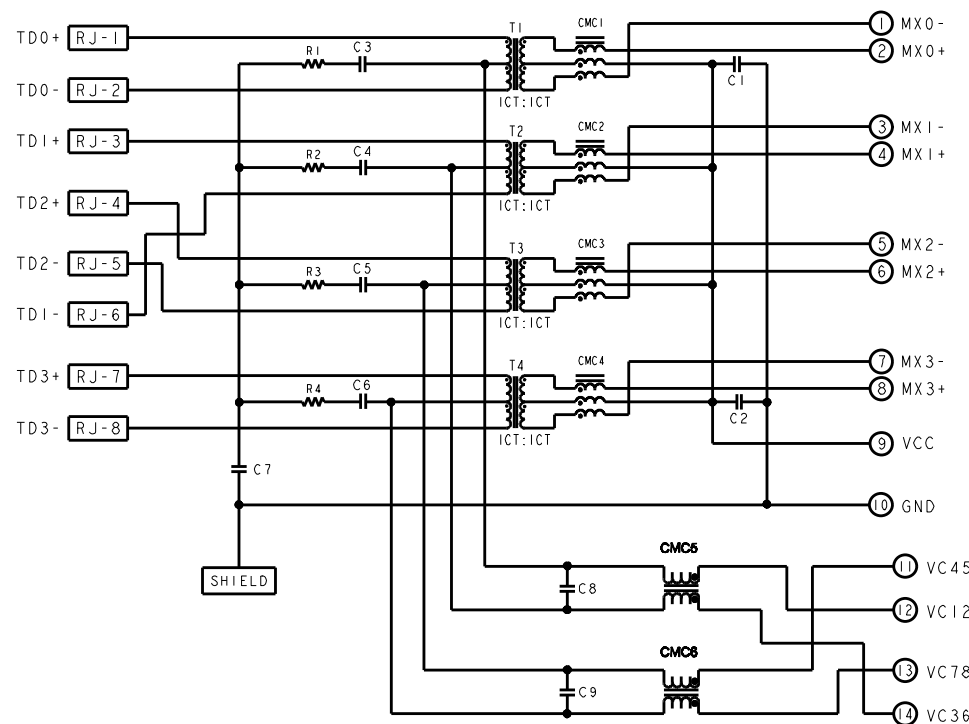
8. DATUM AND BASIC DIMENSION ESTABLISHED BY CUSTOMER.

9. BASIC DIMENSION ESTABLISHED BY CUSTOMER, BUT MAY NOT BE GREATER THAN 5.08mm.

10. THE PARTS ARE RECOMMENDED FOR WAVE SOLDERING PROCESS, PEAK TEMPERATURE 260°C MAX, 10 SECONDS MAX.

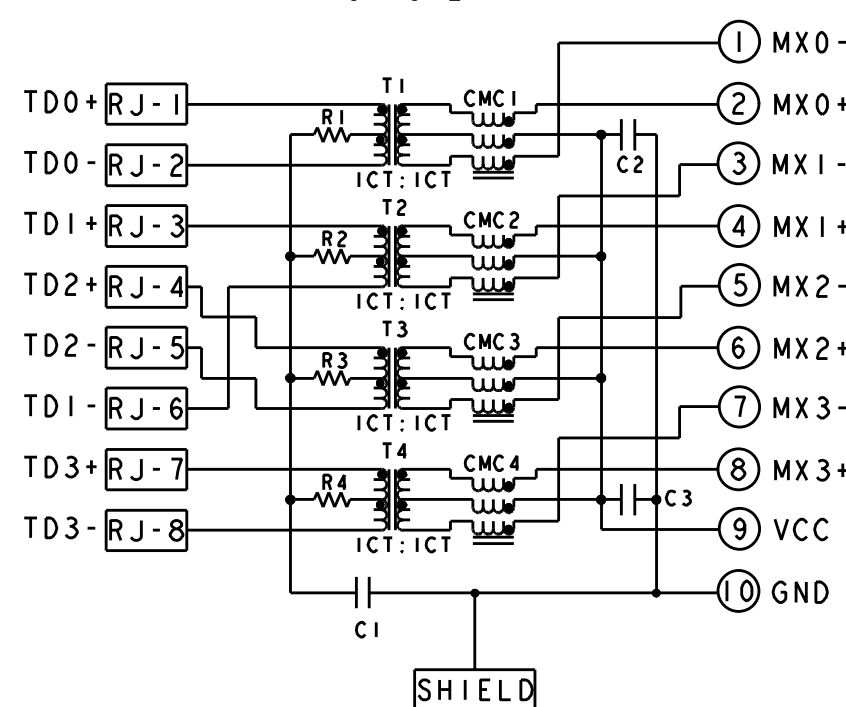
11. MAGNETICS (PORTS E-H)
 APPLICATION: 10/100/1000 BASE-T
 IMPEDANCE: 100 OHMS
 TURNS RATIO (CHIP:CABLE): 1:1 ALL FOUR PAIRS
 OPEN CIRCUIT INDUCTANCE (OCL): 350uH MIN @100kHz, 0.1VRMS,
 8mADC BIAS FROM -40°C TO +85°C, ALL FOUR PAIRS
 ALL FOUR PAIRS BI-DIRECTIONAL
 PERFORMANCE @ 25°C:
 INSERTION LOSS (IL): 1.1dB MAX FROM 0.5MHz TO 100MHz
 RETURN LOSS (RL): 18dB MIN FROM 0.5MHz TO 40MHz
 12-20LOG(f/80)dB MIN FROM 40.1MHz TO 100MHz
 CROSSTALK ATTENUATION: 35dB MIN FROM 0.5MHz TO 40MHz
 33-20LOG(f/50)dB MIN FROM 40.1MHz TO 100MHz
 COMMON MODE REJECTION RATIO (CMRR): 30dB MIN FROM 0.5MHz TO 100MHz
 ISOLATION VOLTAGE: 2250VDC(MAX) FOR 60 SECONDS WITH A RISE TIME OF 500V/SEC AND WITH ALL PORTS CONNECTED.

S9UG08ET GIGABIT 4PPOE CIRCUIT (PORTS A-D)



C1-C2 = 10nF, 50V, X7R, CAPACITORS
 C3-C6 = 22nF, 100V, CAPACITORS
 C7 = 1000pF, 2kV, CAPACITOR
 C8-C9 = 100nF, 100V, X7R, CAPACITOR
 R1-R4 = 75 Ohms, 1/16W, RESISTORS

S8G56ET GIGABIT CIRCUIT (PORTS E-H)



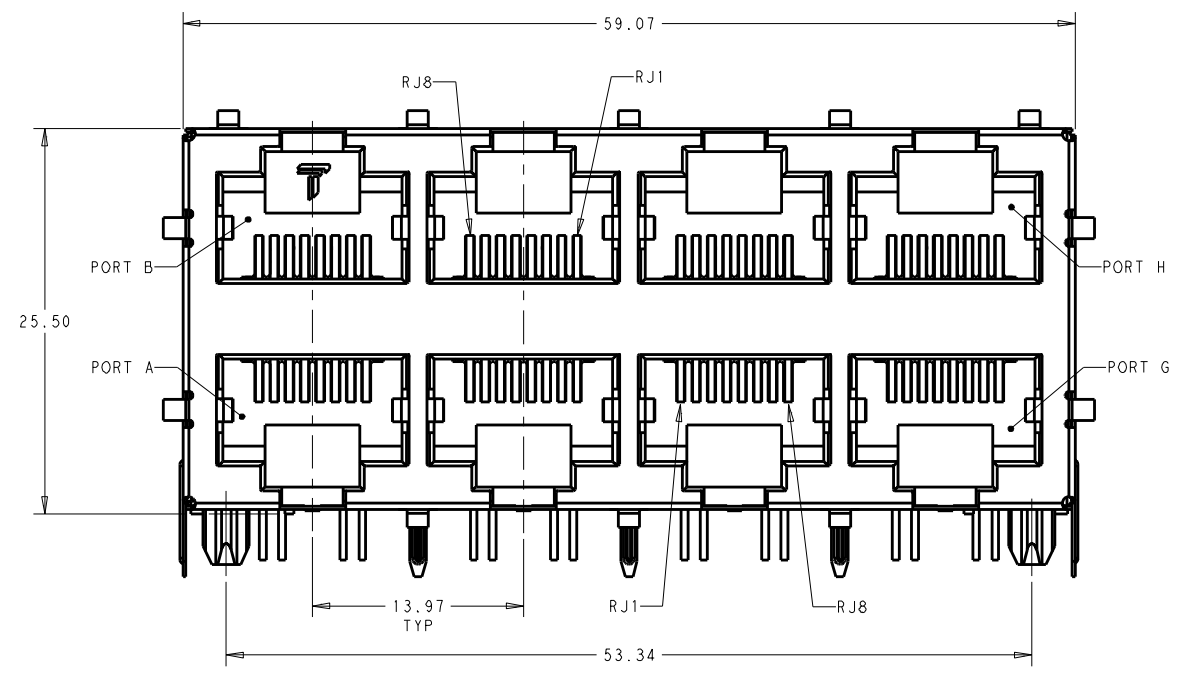
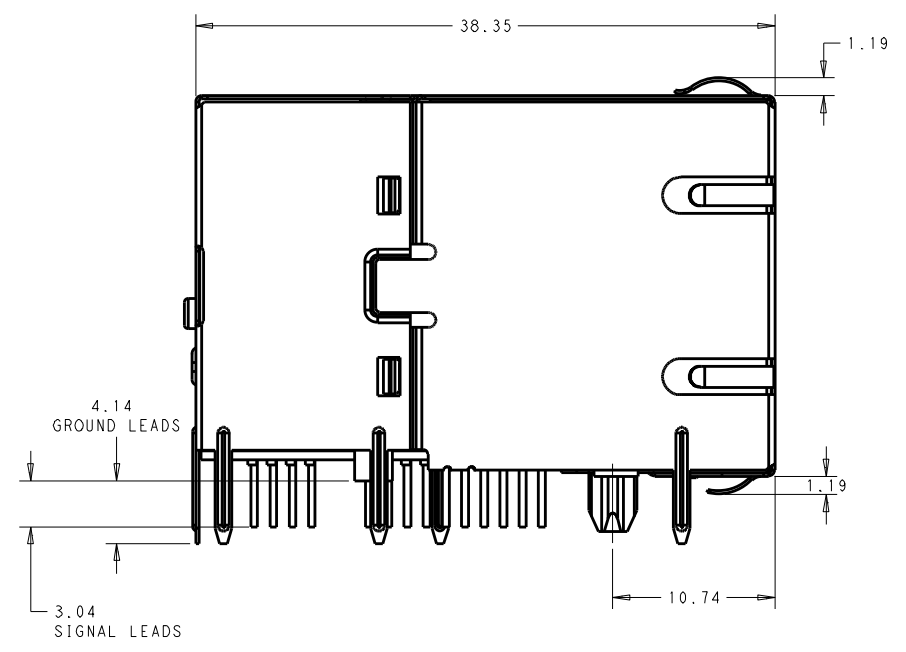
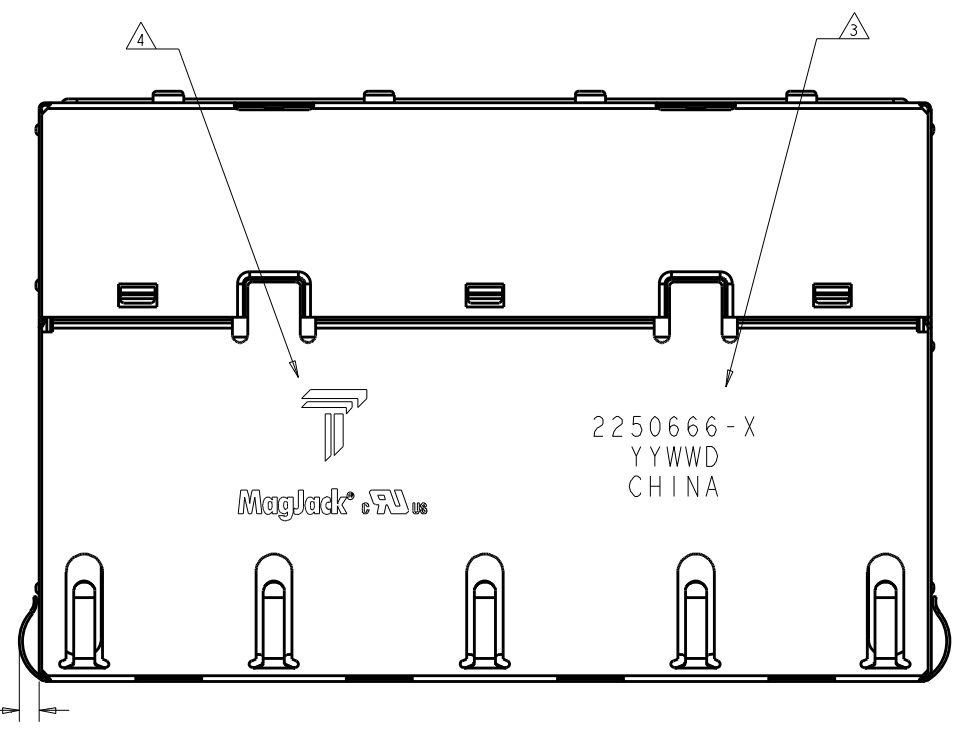
C1 = 1000pF, 2kV Capacitor
 C2 - C3 = 10nF, 50V Capacitors
 R1-R4 = 75 Ohms, 1/16 W, Resistors


THIS DRAWING IS A CONTROLLED DOCUMENT, AND COMPLIANT TO ASME Y14.5M		DWN: CLOUD ZENG/TERRY LIN CHK: TOMMY REN/BILL LIU APP'D: TONY YUAN		09SEP2019 09SEP2019 09SEP2019	
DIMENSIONS: mm		TOLERANCES UNLESS OTHERWISE SPECIFIED:		0 PLC ±0.25 1 PLC ±0.25 2 PLC ±0.25 3 PLC ±0.25 4 PLC ±0.25 ANGLES ±°	
PRODUCT SPEC		APPLICATION SPEC		MAGJACK STACK 4PPOE	
SIZE: A1		CAGE CODE: A1		DRAWING NO: 2250666	
CUSTOMER DRAWING		SCALE: NTS		SHEET 1 OF 4 REV 3	

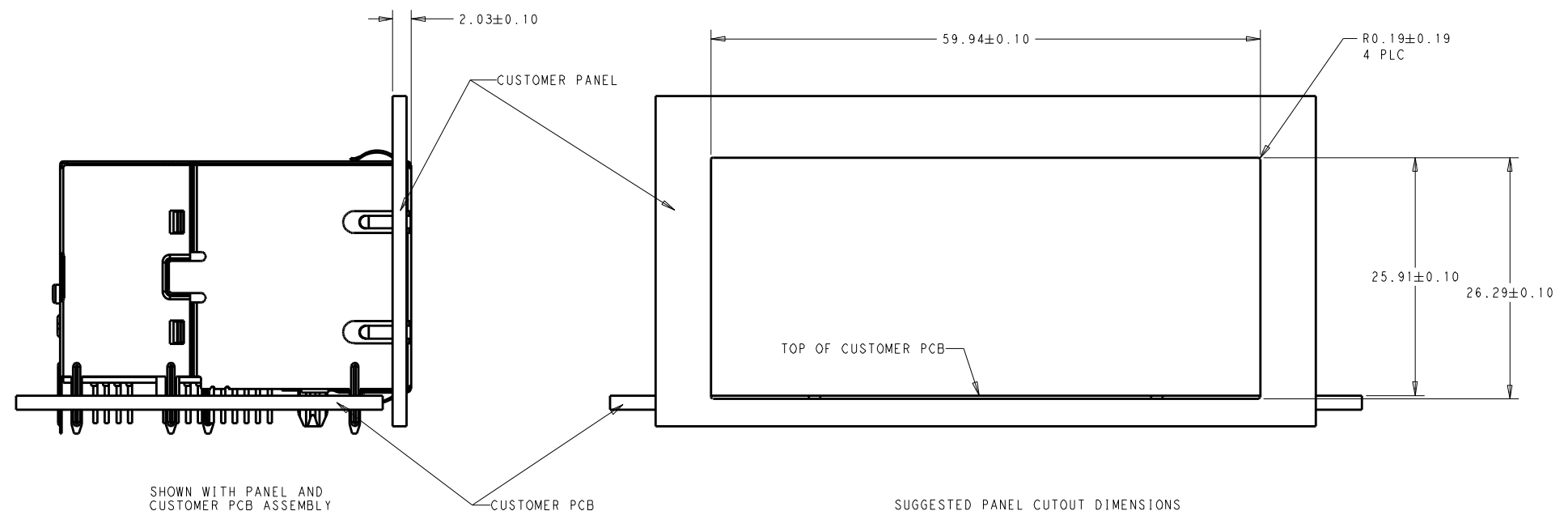
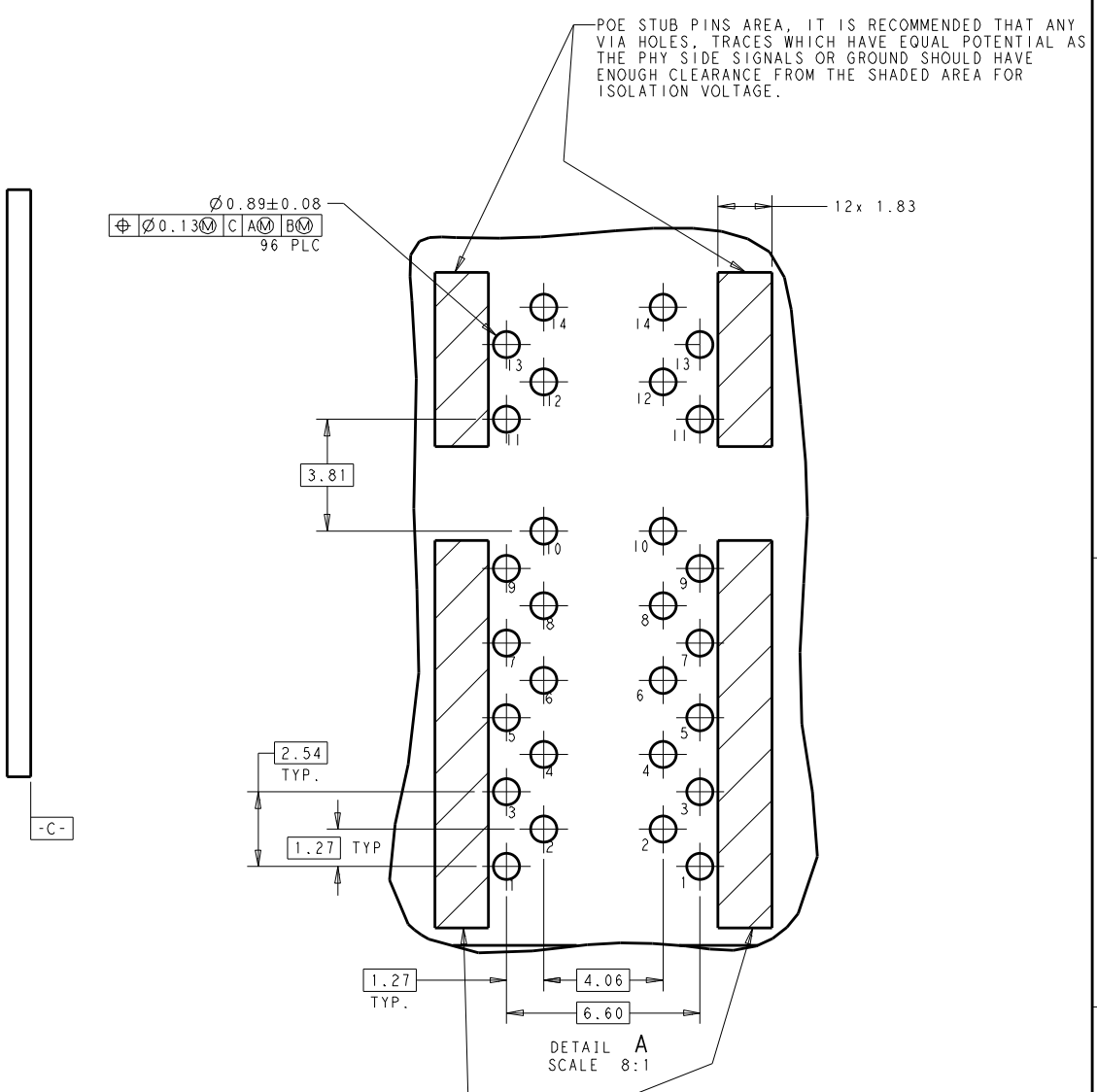
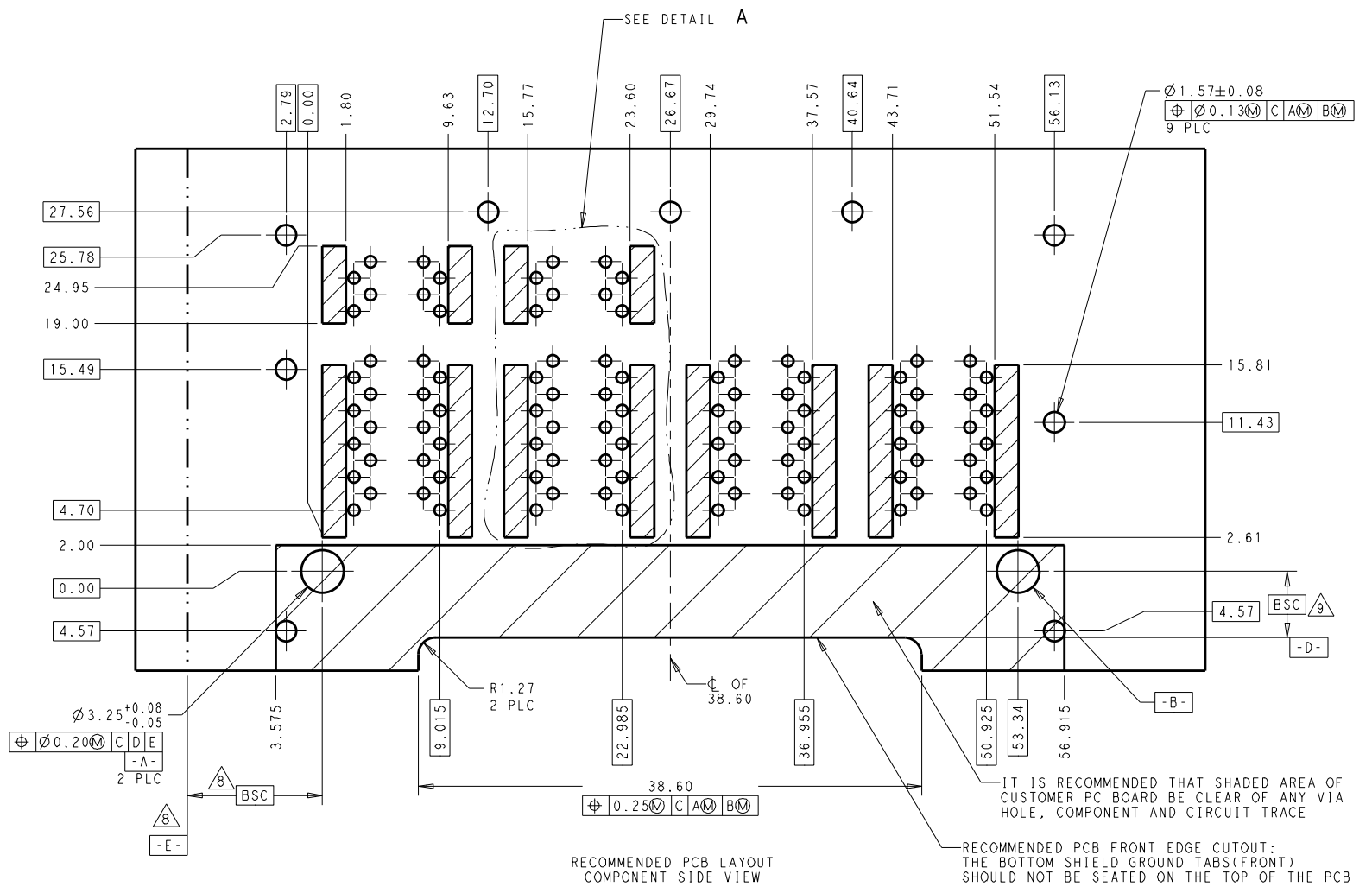
2250666-1
PART NUMBER



2X4, S9UG08ET GIGABIT 4PPOE 100W CIRCUIT & S8G56ET Non-PoE CIRCUIT, W/O LED



THIS DRAWING IS A CONTROLLED DOCUMENT. AND COMPLIANT TO ASME Y14.5M		DWN CLOUD ZENG/TERRY LIN 08SEP2019	 trp CONNECTOR a bel group DONGGUAN CHINA
DIMENSIONS: mm		CHK TOMMY REN/BILL LIU 08SEP2019	
TOLERANCES UNLESS OTHERWISE SPECIFIED:		APP'D TONY YUAN 08SEP2019	MODEL NAME MAGJACK
0 PLC ±0.25 1 PLC ±0.25 2 PLC ±0.25 3 PLC ±0.25 4 PLC ± ANGLES ±		PRODUCT SPEC	2X4, S9UG08ET GIGABIT 4PPOE 100W CIRCUIT & S8G56ET Non-PoE CIRCUIT, W/O LED SIZE A1 CAGE CODE DRAWING NO. ©=2250666 RESTRICTED TO CUSTOMER DRAWING
APPLICATION SPEC		SCALE	SHEET 2 OF 4 REV 3


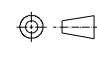


SHOWN WITH PANEL AND CUSTOMER PCB ASSEMBLY

SUGGESTED PANEL CUTOUT DIMENSIONS

THIS DRAWING IS A CONTROLLED DOCUMENT, AND COMPLIANT TO ASME Y14.5M		DWN: CLOUD ZENG/TERRY LIN CHK: TOMMY REN/BILL LIU APP: TONY YUAN	09SEP2019 09SEP2019 09SEP2019	 DONGGUAN CHINA a bel group
DIMENSIONS:	TOLERANCES UNLESS OTHERWISE SPECIFIED:	MODEL NAME	PRODUCT SPEC	
mm	0 PLC ±0.25 1 PLC ±0.25 2 PLC ±0.25 3 PLC ±0.25 4 PLC ±0.25 ANGLES ±	MAGJACK STACK 4PPoE	2X4, S9UG08ET GIGABIT 4PPoE 100W CIRCUIT & S8G56ET Non-PoE CIRCUIT, W/O LED	
PRODUCT SPEC	APPLICATION SPEC	SIZE	RESTRICTED TO	
		A1		
CUSTOMER DRAWING		SCALE	SHEET 3 OF 4	
		NTS	REV 3	

2250666					STOCK DISPOSITION			
2X4, S9UG08ET GIGABIT 4PPOE 100W CIRCUIT & S8G56ET Non-PoE CIRCUIT,W/O LED					A: CONTINUE AS IS		D: USE OLD FIRST	
REVISION HISTORY					B: REWORK		E: PARTS TO CONFORM	
					C: SCRAP		F: OTHER	
DATE	REV	CHANGES	REASON	APPROVAL	INVENTORY (A,B,C,D,E,F)	WORK IN PROCESS (A,B,C,F)	SUPPLIER ORDERS (A,E,F)	OPEN CUST ORDERS (A,E,F)
22OCT2019	1	INITIAL RELEASE	INITIAL RELEASE	TONY YUAN	-	-	-	-
24OCT2019	2	CHANGE THE CIRCUIT TO S9UG08ET(ADD C8.C9)	CUSTOMER REQUEST	TONY YUAN	-	-	-	-
25OCT2019	3	SHEET 2 B3 ZONE: UPDATED THE FRONT VIEW	DRAFT ERROR	TONY YUAN	-	-	-	-

THIS DRAWING IS A CONTROLLED DOCUMENT. AND COMPLIANT TO ASME Y14.5M		DWN CLOUD ZENG/TERRY LIN 08SEP2019 CHK TOMMY REN/BILL LIU 08SEP2019 APPD TONY YUAN 08SEP2019		 trp CONNECTOR DONGGUAN CHINA	
DIMENSIONS: mm		TOLERANCES UNLESS OTHERWISE SPECIFIED: 0 PLC ±0.25 1 PLC ±0.25 2 PLC ±0.25 3 PLC ± 4 PLC ± ANGLES ±		MODEL NAME: 2X4, S9UG08ET GIGABIT 4PPOE 100W CIRCUIT & S8G56ET Non-PoE CIRCUIT,W/O LED	
		PRODUCT SPEC: APPLICATION SPEC		SIZE: A1 CAGE CODE: DRAWING NO: ©=2250666 RESTRICTED TO: CUSTOMER DRAWING	
				SCALE: NTS SHEET 4 OF 4 REV 3	