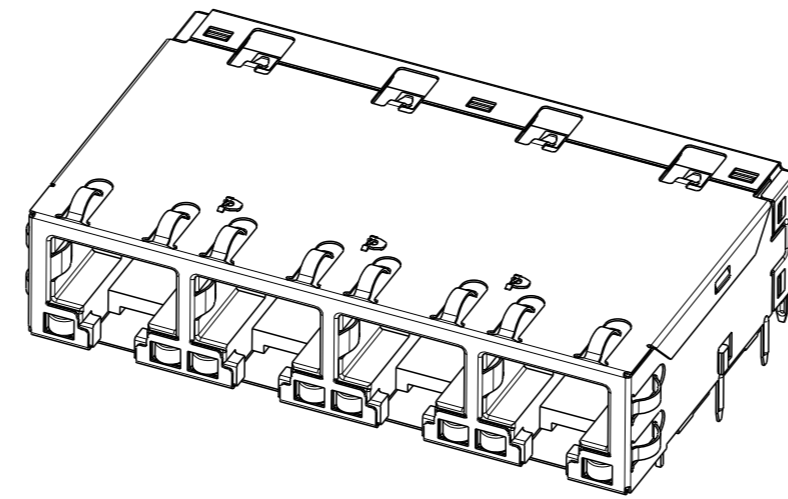
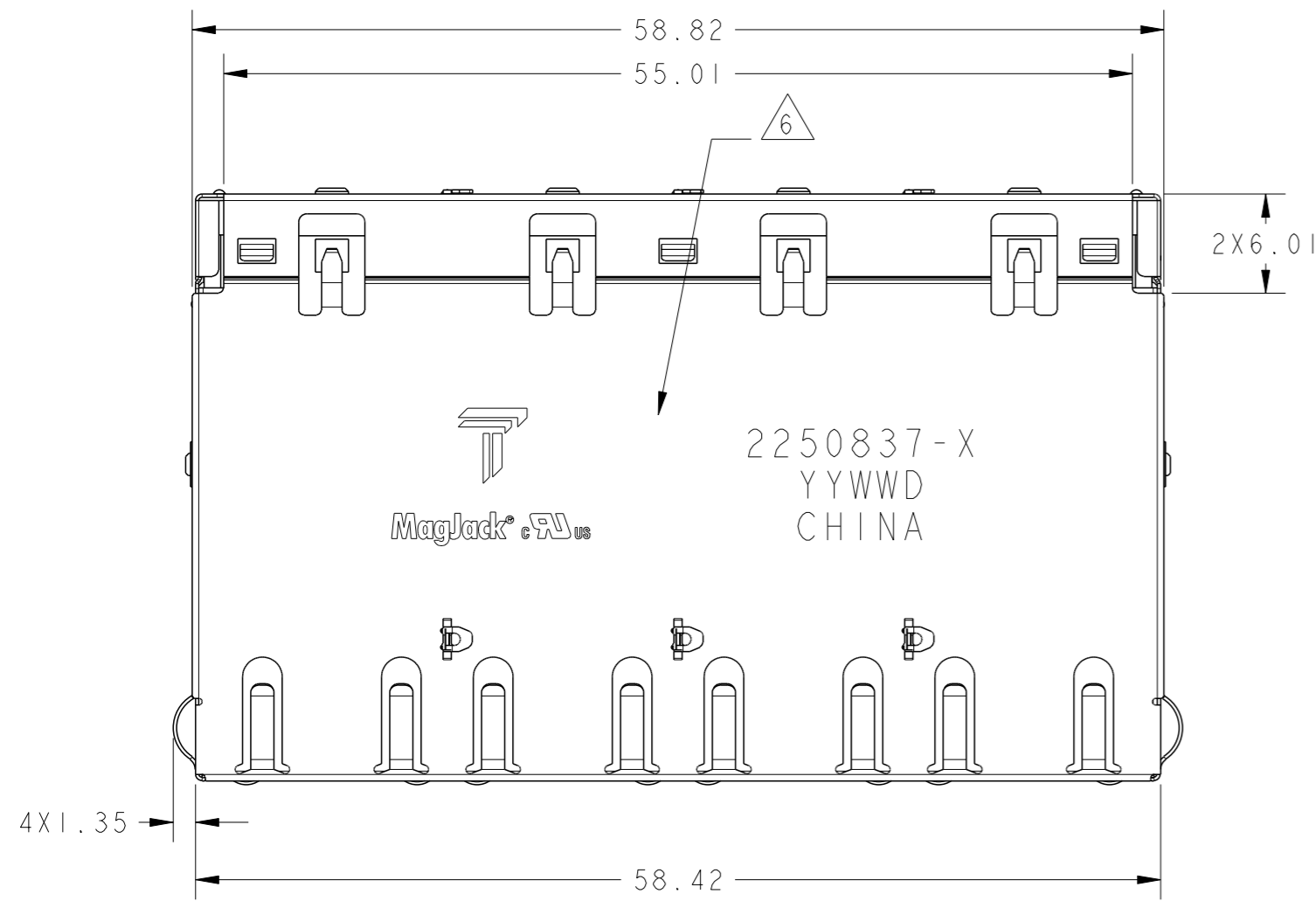


THIS DRAWING AND THE SUBJECT MATTER SHOWN THEREON ARE CONFIDENTIAL AND THE PROPERTY OF BEL/STEWART/TRP CONNECTOR AND SHALL NOT BE REPRODUCED, COPIED, OR USED IN ANY MANNER WITHOUT THE WRITTEN CONSENT OF TRP CONNECTOR.

PRODUCT MAY BE PROTECTED BY ONE OR MORE OF THE FOLLOWING US PATENTS:
 5736910 5939955 6425781 6428361 6554638 6840817 7123117
 7429195 7717749 7808751 6217391 6149050 7924130

| REVISIONS | | | | |
|-----------|-----|----------------|-----------|-------|
| P | LTR | DESCRIPTION | DATE | APVD |
| 2 | | SEE LAST SHEET | 07JUN2023 | JY TY |



1. MATERIALS:
 - HOUSING: THERMOPLASTIC, FLAMMABILITY, RATING UL 94V-0
 - SHIELD: 0.20mm THICK, COPPER BASE ALLOY PREPLATED WITH 0.76um MIN SEMI-BRIGHT NICKEL, OR 0.20mm THICK STAINLESS STEEL.
 - MOD JACK CONTACTS: 0.3mm THICK, PHOSPHOR BRONZE, 1.27um MIN OVERALL NICKEL UNDERPLATE, WITH 1.27um MIN LOCALIZED GOLD PLATE AT CONTACT INTERFACE
 - LED: DIFFUSED EPOXY LENS 0.5 SQUARE CABBON STEEL WIREFRAME LEADS PREPLATED WITH 2.03um MIN SILVER OVER 1.02um MIN NICKEL UNDERPLATE OVER 1.02um MIN COPPER UNDERPLATE; POST PLATED WITH 2.54um MIN MATTE TIN

2. MAGNETICS:
 - APPLICATION: 1G/10G BASE-T, 4PPoE
 - IMPEDANCE: 100 OHMS
 - TURNS RATIO (CHIP:CABLE): 1:1 ALL FOUR PAIRS
 - OPEN CIRCUIT INDUCTANCE (OCL): 160uH MIN @ 100kHz, 0.1VRMS FROM 0°C TO 70°C, ALL FOUR PAIRS, 120uH MIN @ 100kHz, 0.1VRMS, 23mA DC BIAS FROM 0°C TO 70°C, ALL FOUR PAIRS
 - ALL FOUR PAIRS BI-DIRECTIONAL
 - PoE CURRENT: 1A DC MAX
 - PERFORMANCE @ 25 °C: PLEASE REFER TO SEPARATE SHEET
 - ISOLATION VOLTAGE: 2250VDC FOR 60 SECONDS WITH A RISE TIME OF 500V/SEC, WITH ALL PORTS CONNECTED

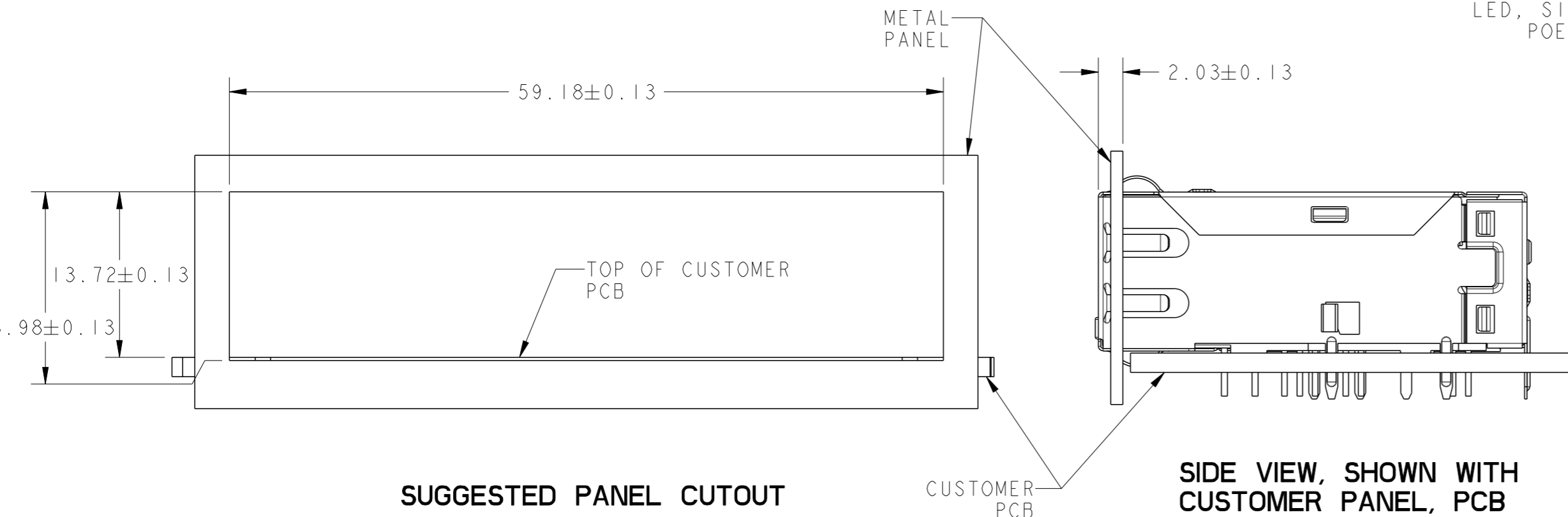
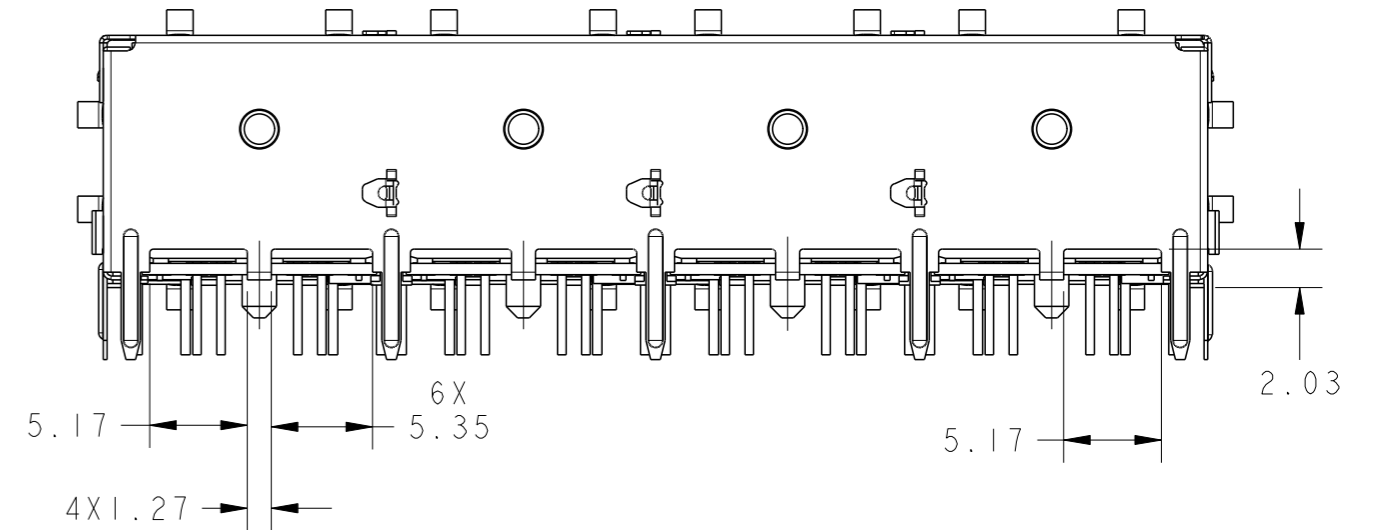
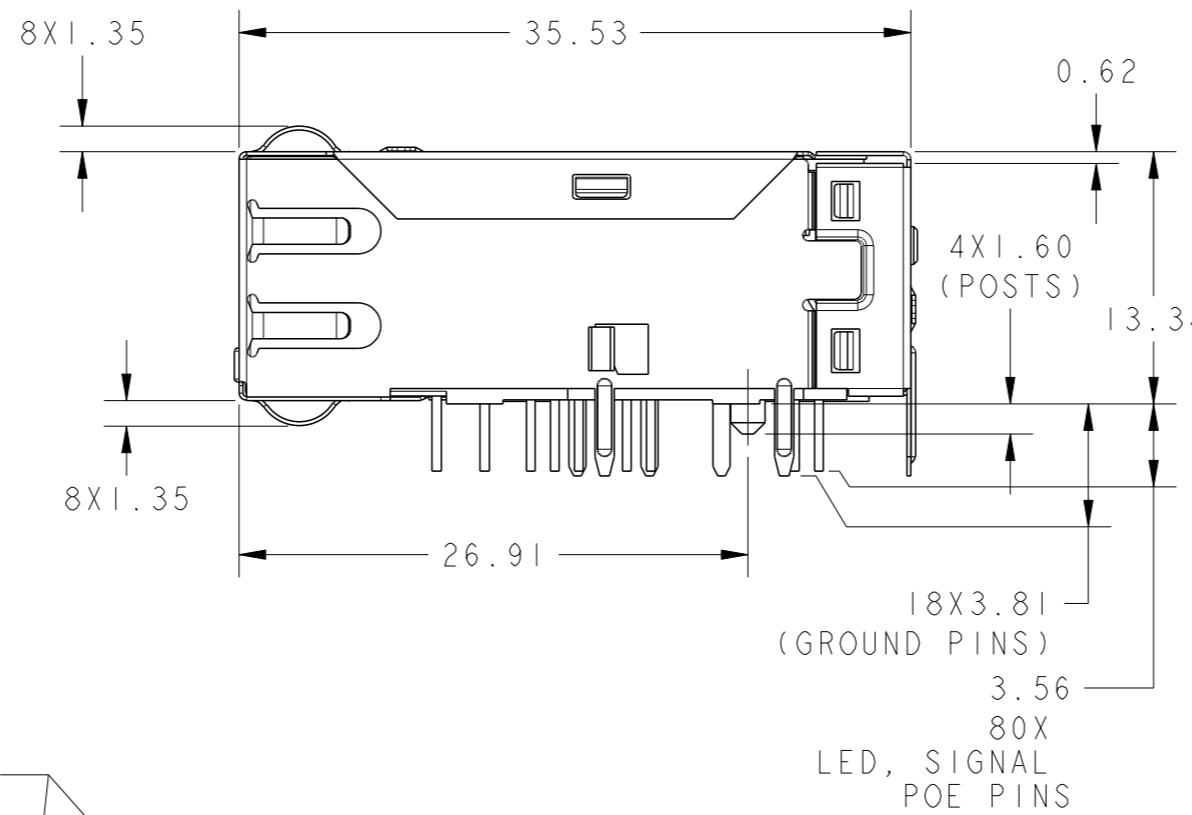
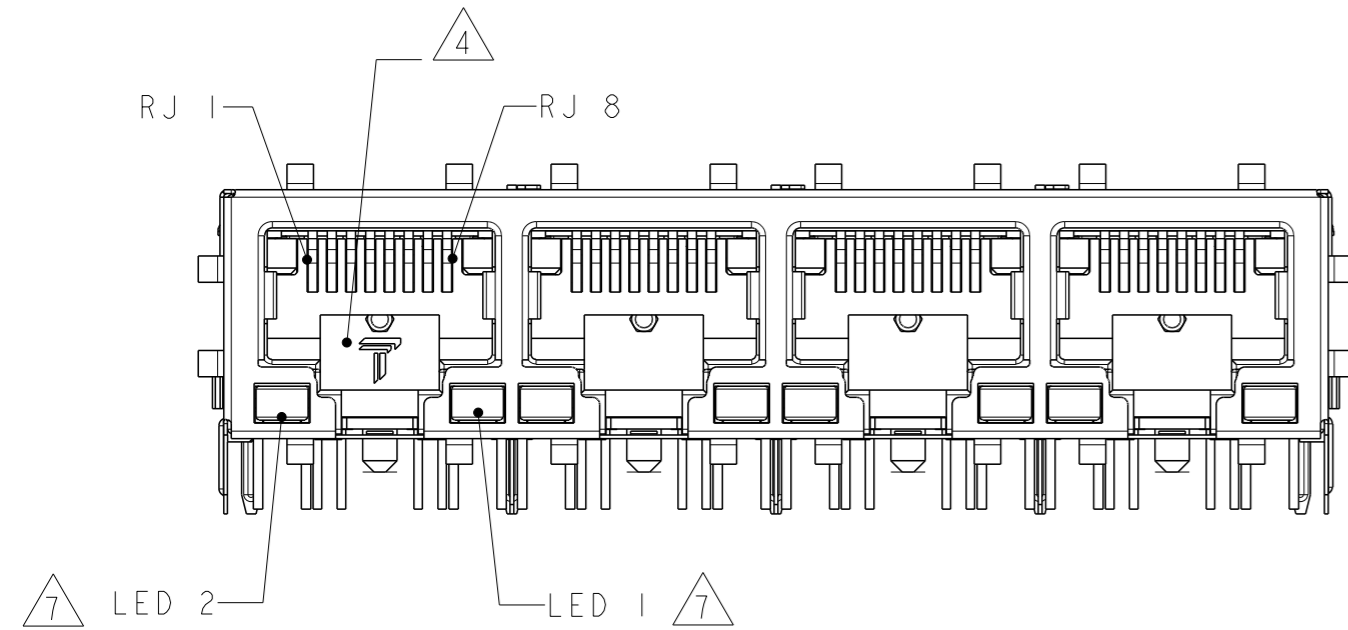
3. OPERATING TEMPERATURE: FROM 0°C TO 70°C
 4. RJ45 JACK CAVITY CONFORMS TO FCC RULES AND REGULATIONS PART 68, SUB-PART F.

5. ALL DIMENSIONS ARE NOMINAL UNLESS OTHERWISE NOTED.

6. TRP CONNECTOR LOGO, PART NUMBER, DATE CODE, COUNTRY OF ORIGIN, AND AGENCY APPROVAL MARKING IN APPROXIMATE LOCATION SHOWN, DATE CODE: YYWD WHERE YY IS YEAR, WW IS WORK WEEK, D IS DAY OF WEEK, WITH SUNDAY=1.

7. LEDS ARE DRIVEN WITH CONSTANT CURRENT AT APPROX 20mA.
 LED COLOR:
 DOMINANT WAVELENGTH (λD): GREEN 568nm TYP. at IF=20mA
 FORWARD VOLTAGE (VF): GREEN 2.2V TYP. at IF=20mA
 DOMINANT WAVELENGTH (λD): ORANGE 605nm TYP. at IF=20mA
 FORWARD VOLTAGE (VF): ORANGE 2.1V TYP. at IF=20mA

8. DATUM Y AND BASIC DIMENSION ESTABLISH BY CUSTOMER.
 9. THE PART IS COMPLIANT WITH WAVE SOLDERING PROCESS, PREHEAT TEMPERATURE IS 120°C TO 160°C, 120 SECONDS TO 180 SECONDS, PEAK SOLDERING TEMPERATURE IS 260°C MAX, 10 SECONDS MAX.



| | | | | |
|--------|-------|--------|-------|-------------|
| ORANGE | GREEN | ORANGE | GREEN | 2250837-1 |
| 18 | 17 | 17 | 18 | 20 |
| 19 | 19 | 19 | 20 | 20 |
| LED 2 | | LED 1 | | PART NUMBER |

THIS DRAWING IS A CONTROLLED DOCUMENT, AND COMPLIANT TO ASME Y14.5M

DIMENSIONS: mm

TOLERANCES UNLESS OTHERWISE SPECIFIED:

| | |
|------------------|-------|
| 0 PLC | ±0.25 |
| 1 PLC | ±0.25 |
| 2 PLC | ±0.25 |
| 3 PLC | ±0.25 |
| 4 PLC | ±0.25 |
| ANGLES | ± |
| APPLICATION SPEC | |

PRODUCT SPEC: 108-104004

DWN: JARRY YE/XENIA WANG
 CHK: TOWER YU/BILL LIU
 APVD: TONY YUAN
 MODEL NAME: MAGJACK GANG 4PPoE

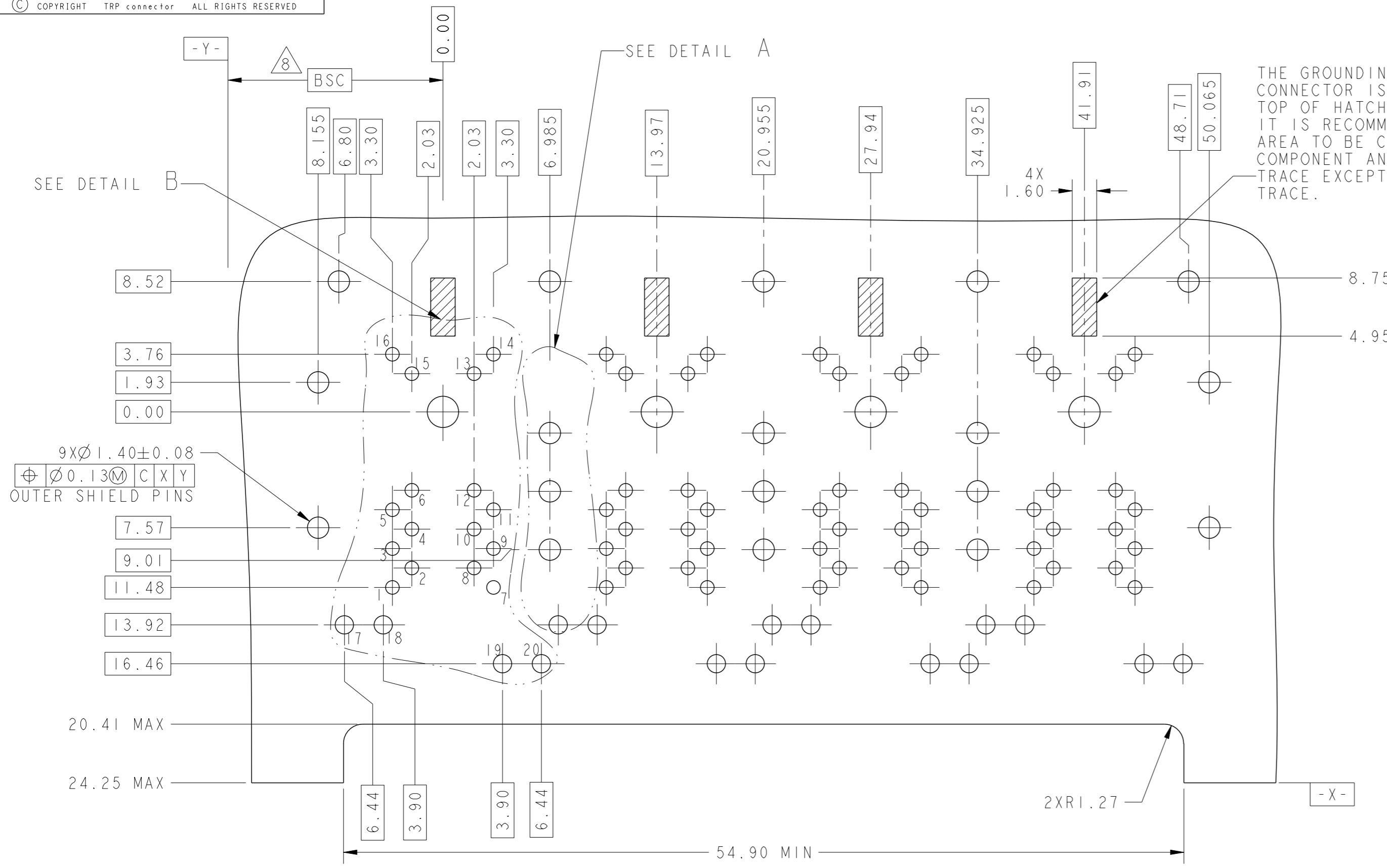
08DEC2022
 08DEC2022
 08DEC2022

trp CONNECTOR a bel group DONGGUAN CHINA

DESC: 1X4 4UTG05 10G 100W 4PPOE TAB DOWN W/ LED

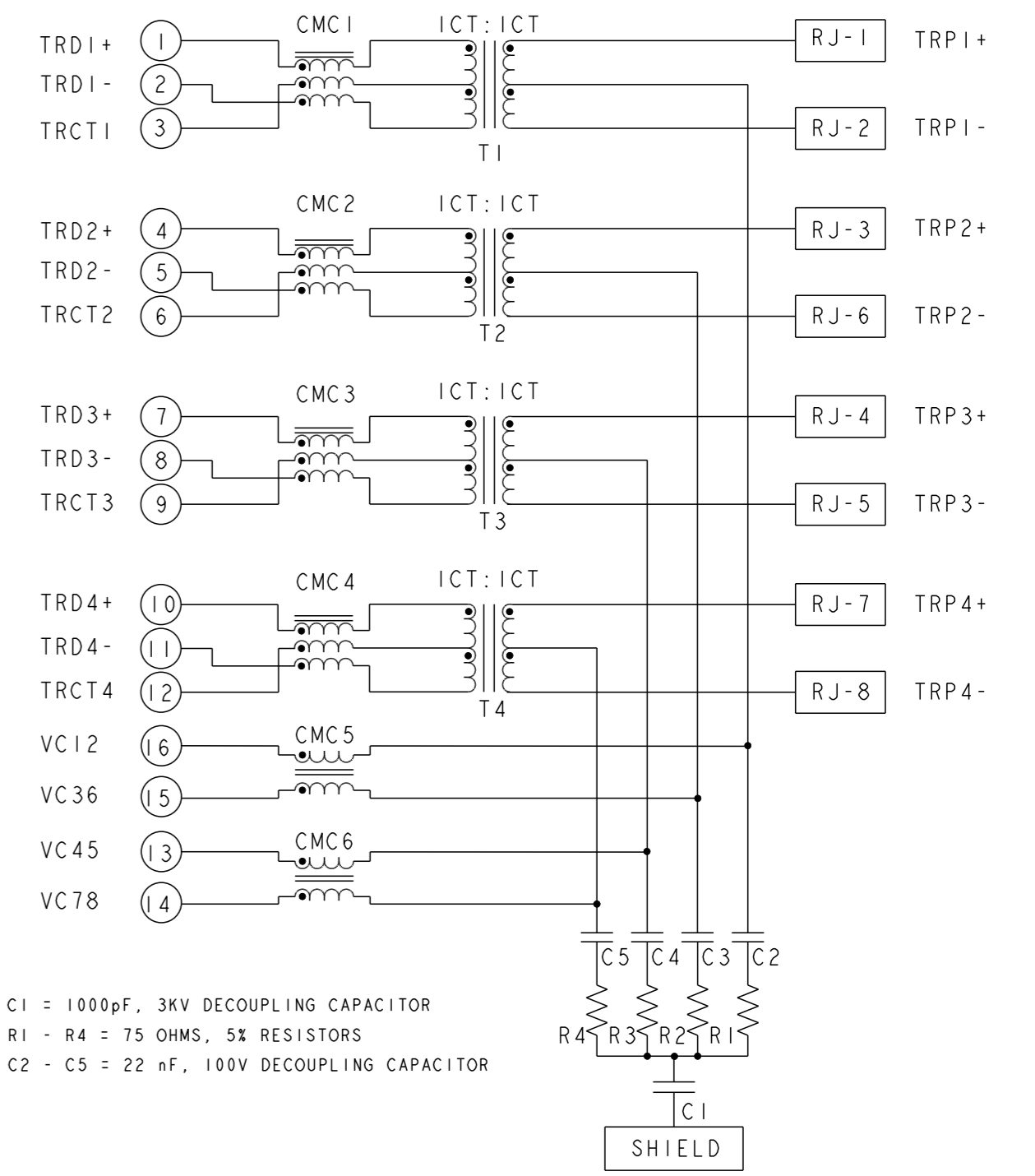
SIZE: A2
 CAGE CODE: G-2250837
 DRAWING NO: C-2250837

CUSTOMER DRAWING SCALE: NTS SHEET 1 OF 3 REV 2

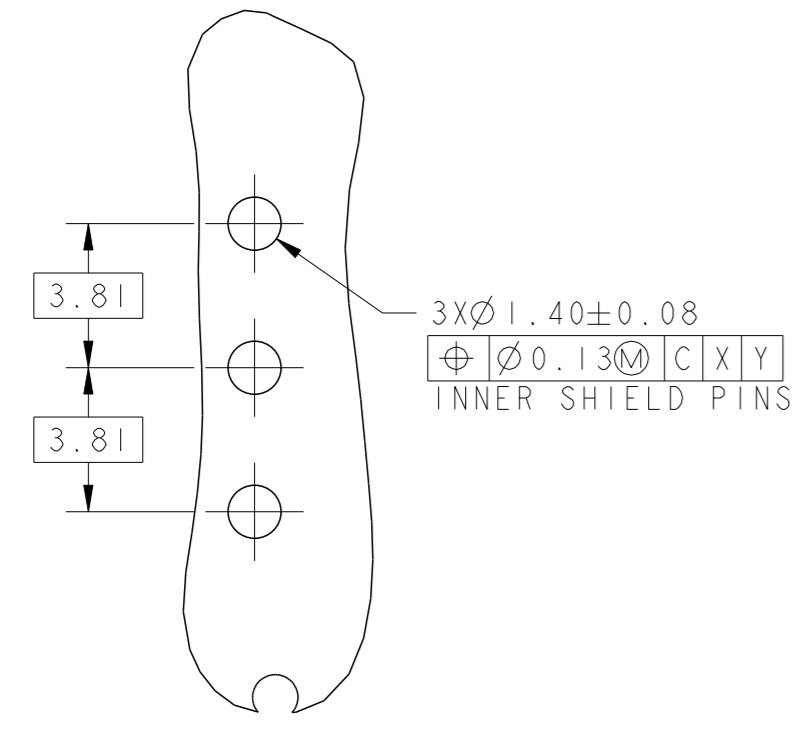


RECOMMENDED PC BOARD LAYOUT (VIEWED FROM COMPONENT SIDE)

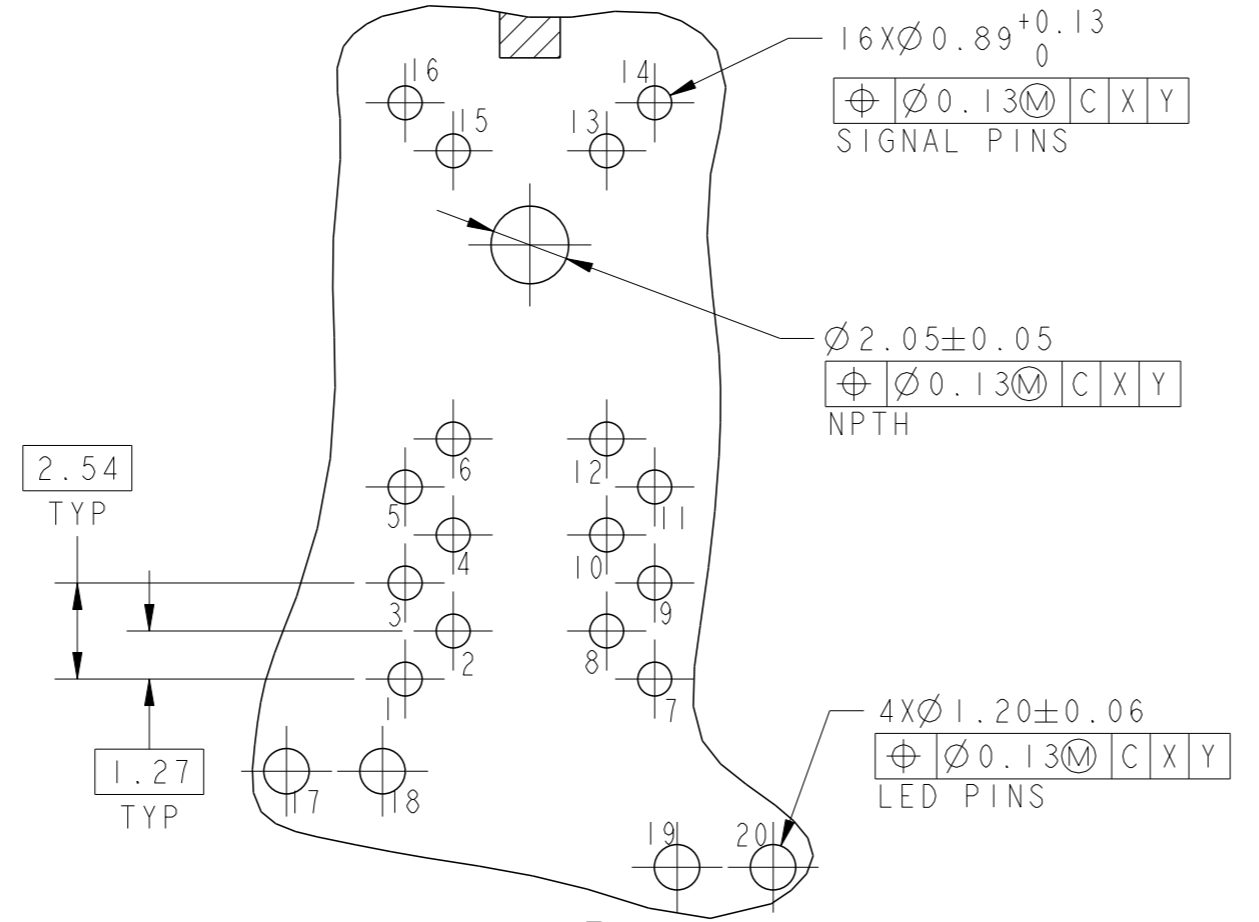
4UTG05 10 GIGABIT 100W CIRCUIT



C1 = 1000pF, 3KV DECOUPLING CAPACITOR
 R1 - R4 = 75 OHMS, 5% RESISTORS
 C2 - C5 = 22 nF, 100V DECOUPLING CAPACITOR



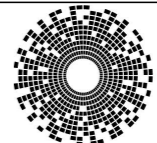
DETAIL A
3X
SCALE 5:1



DETAIL B
4X
SCALE 5:1

| | | | |
|---|--|---|---|
| THIS DRAWING IS A CONTROLLED DOCUMENT, AND COMPLIANT TO ASME Y14.5M | | DWN JARRY YE/XENIA WANG 08DEC2022 | trp CONNECTOR a bel group DONGGUAN CHINA |
| DIMENSIONS: mm | | CHK TOWER YU/BILL LIU 08DEC2022 | |
| TOLERANCES UNLESS OTHERWISE SPECIFIED: | | APVD TONY YUAN 08DEC2022 | DESC 1X4 4UTG05 10G 100W 4PPOE TAB DOWN W/ LED |
| 0 PLC ±0.25 1 PLC ±0.25 2 PLC ±0.25 3 PLC ±0.25 4 PLC ±0.25 ANGLES ± APPLICATION SPEC | | MODEL NAME MAGJACK GANG 4PPOE | SIZE A2 |
| PRODUCT SPEC 108-104004 | | | DRAWING NO C-2250837 |
| | | CUSTOMER DRAWING | RESTRICTED TO - SCALE NTS SHEET 2 OF 3 REV 2 |

| 2250837 | | | | | STOCK DISPOSITION | | | |
|---|-----|---|--------------------|-----------|----------------------------|---------------------------------|-------------------------------|--------------------------------|
| 1X4 MAG45 MODULAR JACK, 4UTG05 SERIES, 10G, 4PPoE, TAB DOWN | | | | | A:CONTINUE AS IS | | D:USE OLD FIRST | |
| REVISION HISTORY | | | | | B:REWORK | | E:PARTS TO CONFORM | |
| | | | | | C:SCRAP | | F:OTHER | |
| DATE | REV | CHANGE | REASON | APPROVAL | INVENTORY (A,B,C,D,E,F) | WORK IN PROCESS (A,B,C,D) | SUPPLIER ORDERS (A,E,F) | OPEN CUST ORDERS (A,E,F) |
| 08DEC2022 | 1 | - | INITIAL RELEASE | TONY YUAN | - | - | - | - |
| 07JUN2023 | 2 | CHANGE C1 CAPACITOR FROM 2KV TO 3KV, CHANGE LEDS COLOER FROM GREEN/YELLOW TO GREEN/ORANGE, CHANGE PIN LENGTH FROM 2.86mm TO 3.56mm. | MARKET REQUIREMENT | TONY YUAN | - | - | - | - |

| | | | | | |
|---|--|--------------------------------------|---|---|-------------------------|
| THIS DRAWING IS A CONTROLLED DOCUMENT. AND COMPLIANT TO ASME Y14.5M | | DWN 08DEC2022 JARRY YE/XENIA WANG |  trp CONNECTOR a bel group | DONGGUAN CHINA | |
| DIMENSIONS: mm | | CHK 08DEC2022 TOWER YU/BILL LIU | | DESC 1X4 4UTG05 10G 100W 4PPOE TAB DOWN W/ LED | |
| TOLERANCES UNLESS OTHERWISE SPECIFIED: 0 PLC ±0.25 1 PLC ±0.25 2 PLC ±0.25 3 PLC ±0.25 4 PLC ±0.25 ANGLES ± | | APVD 08DEC2022 TONY YUAN | RESTRICTED TO | | |
| PRODUCT SPEC 108-104004 | | MODEL NAME MAGJACK GANG 4PPoE | SIZE A2 | CAGE CODE G-2250837 | DRAWING NO C-2250837 |
| CUSTOMER DRAWING | | | SCALE NTS | SHEET 3 | OF 3 REV 2 |