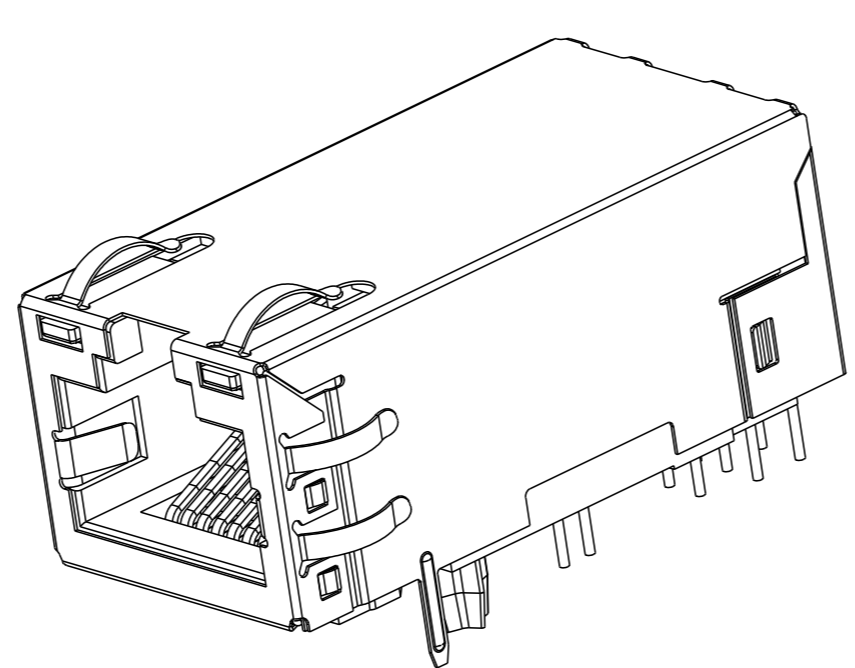
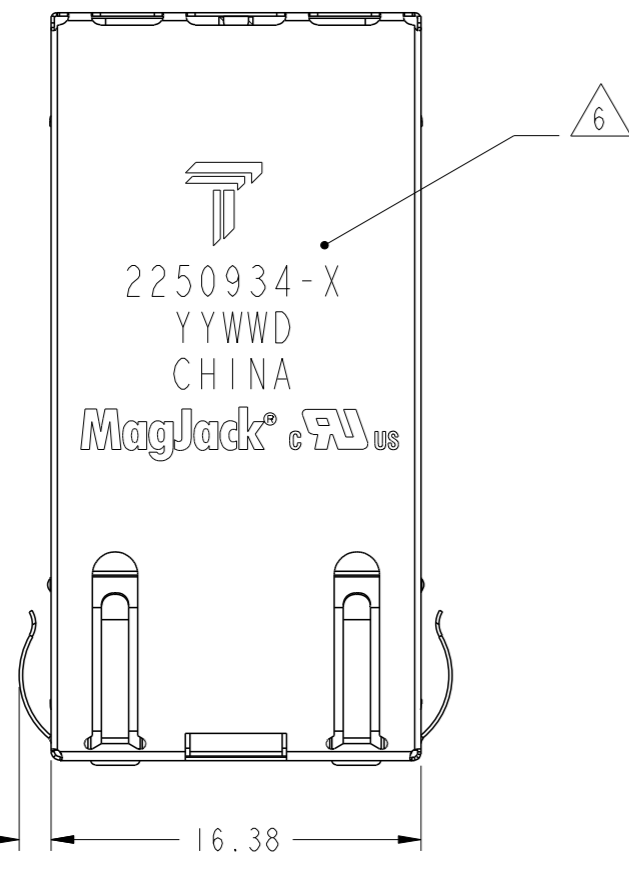


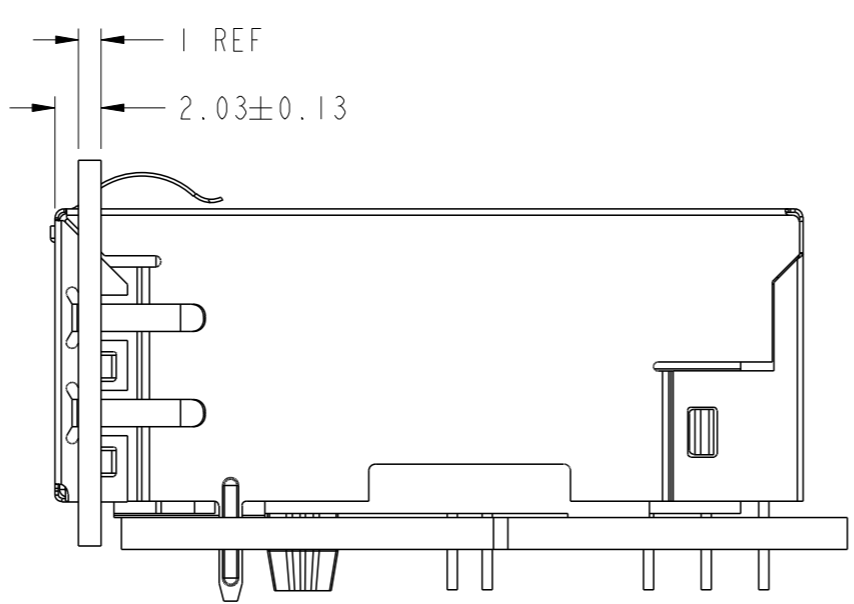
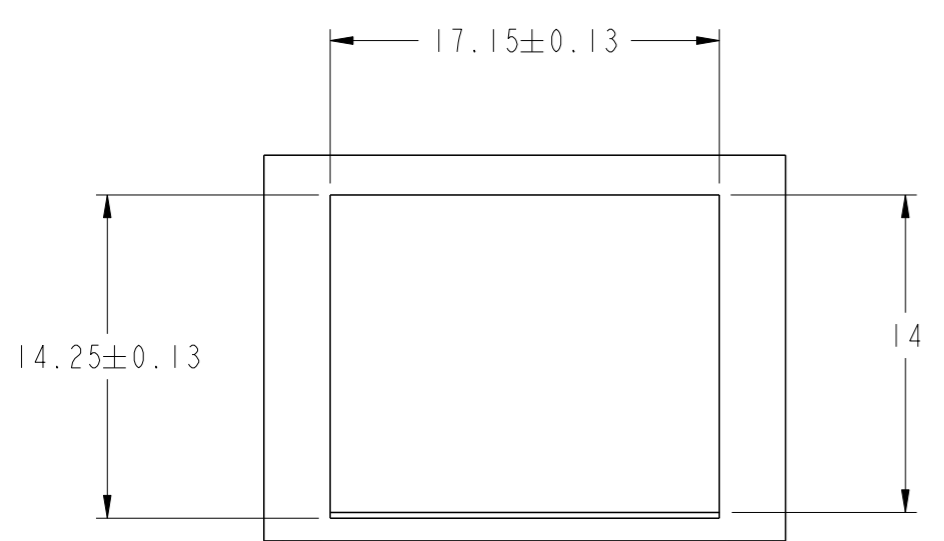
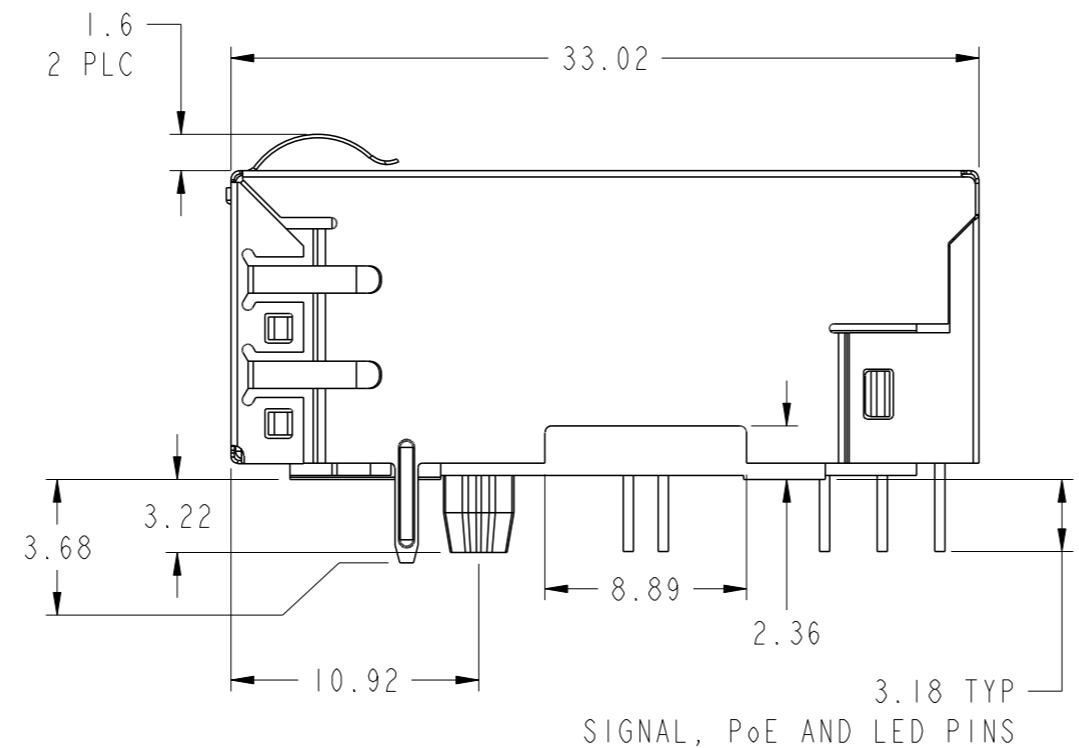
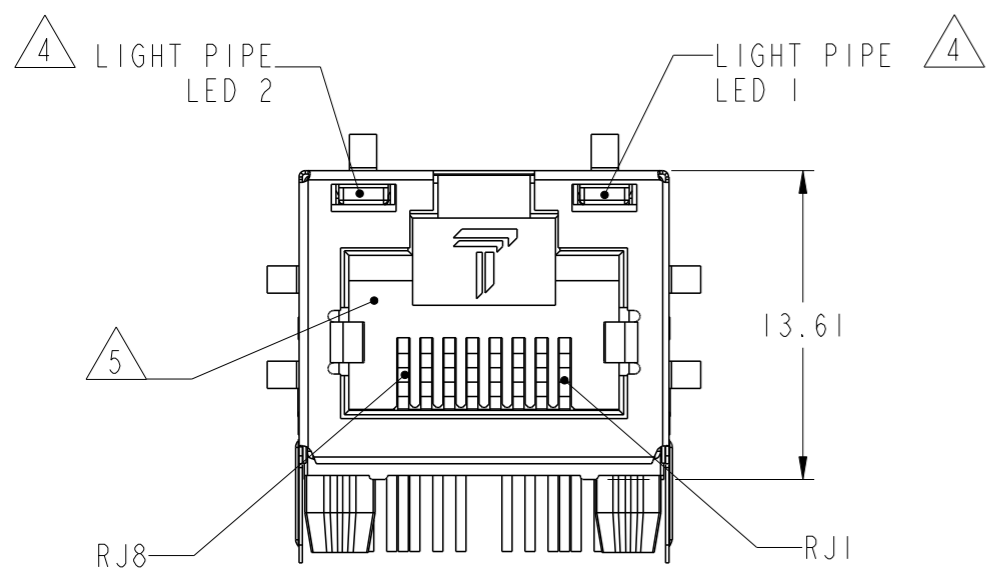
THIS DRAWING AND THE SUBJECT MATTER SHOWN THEREON ARE CONFIDENTIAL AND THE PROPERTY OF BEL/STEWART/TRP CONNECTOR AND SHALL NOT BE REPRODUCED, COPIED, OR USED IN ANY MANNER WITHOUT THE WRITTEN CONSENT OF TRP CONNECTOR.

PRODUCT MAY BE PROTECTED BY ONE OR MORE OF THE FOLLOWING US PATENTS:
 5736910 5939955 6425781 6428361 6554638 6840817 7123117
 7429195 7717749 7808751 6217391 6149050 7924130

REVISIONS				
P	LTR	DESCRIPTION	DATE	APVD
1		INITIAL RELEASE	22AUG2024	JY TY



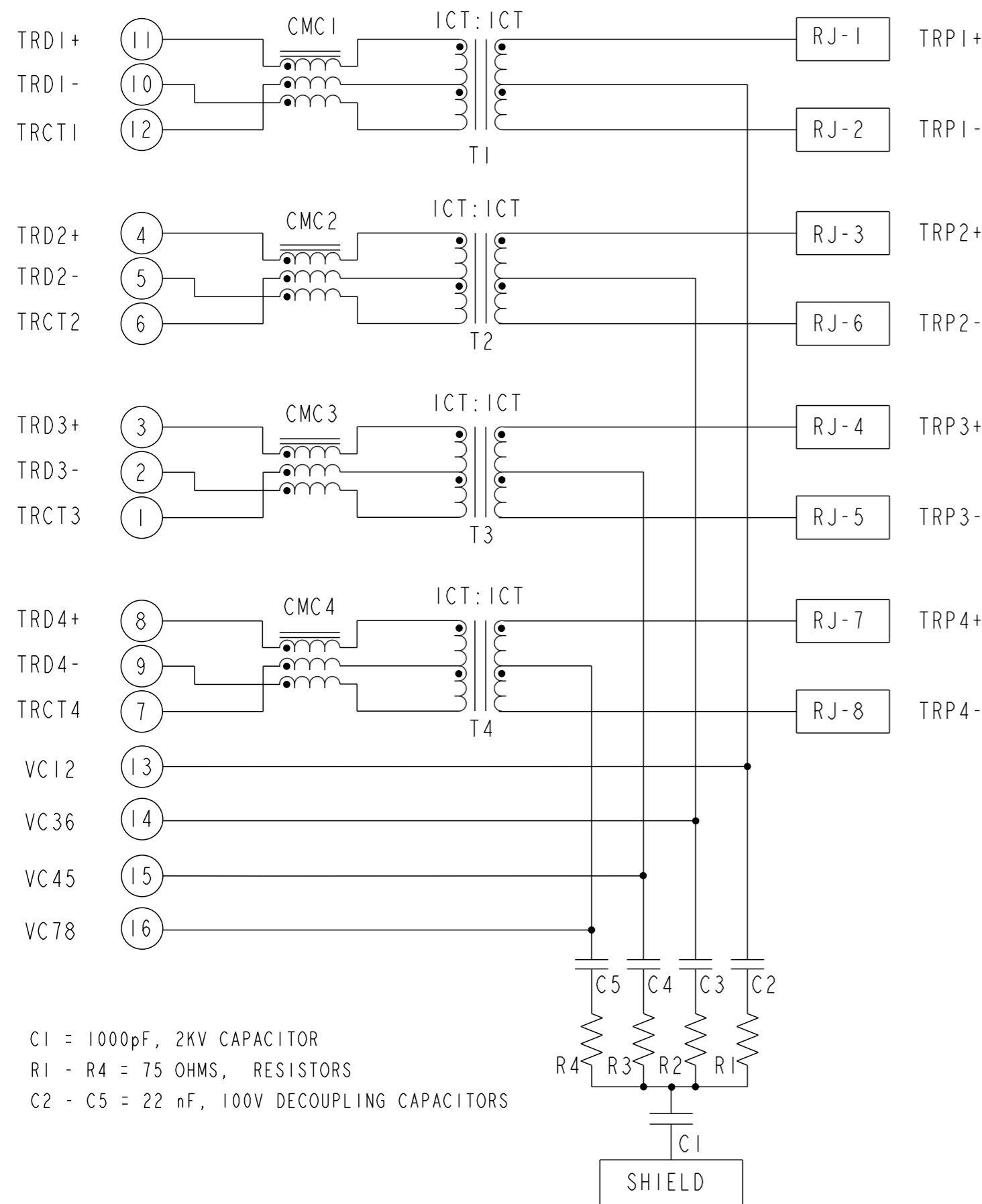
1. MATERIALS
 HOUSING: THERMOPLASTIC, BLACK, FLAMMABILITY RATING UL 94V-0
 SHIELD: STAINLESS STEEL, 0.15mm THICK, PREPLATED WITH MIN 0.76μm SEMI-BRIGHT NICKEL POST DIPPED WITH 2.54μm MIN SAC SOLDER AT GROUND PINS.
 CONTACT: PHOSPHOR BRONZE, 0.46mmX0.30mm
 WITH 1.27μm MIN OVERALL NICKEL UNDERPLATE AND SELECTIVE 1.27μm MIN GOLD PLATING AT MATING INTERFACE.
 SOLDER TAIL(LED AND SIGNAL): Ø0.45mm COPPER PLATED STEEL, PLATED WITH 2.54μm MIN TIN.
- 2 MAGNETICS
 -APPLICATION: 10G BASE-T 4PPoE EXTENDED TEMPERATURE
 -IMPEDANCE: 100 OHMS
 -TURNS RATIO (CHIP:CABLE): 1:1 ALL FOUR PAIRS
 -OPEN CIRCUIT INDUCTANCE (OCL): ALL CHANNELS
 160uH MIN @100kHz, 0.1VRMS, 8mA DC BIAS,
 120uH MIN @100kHz, 0.1VRMS, 23mA DC BIAS.
 -ALL FOUR PAIRS BI-DIRECTIONAL
 -PoE CURRENT: 1A DC MAX
 -PERFORMANCE @ 25°C: PLEASE REFER TO SEPARATE SHEET
 -ISOLATION VOLTAGE: 2250VDC FOR 60 SECONDS WITH A RISE TIME OF 500V/SEC.
3. OPERATING TEMPERATURE: -40°C TO 85°C
- 4 LIGHT PIPES ARE USED TO TRANSMIT LIGHT OF LED.
 LEDS ARE DRIVEN WITH CONSTANT CURRENT AT APPROX 20mA.
 LED COLOR: DOMINANT WAVELENGTH (λ D): GREEN 567nm TYP. at IF=20mA
 FORWARD VOLTAGE (VF): GREEN 2.2V TYP. at IF=20mA
 DOMINANT WAVELENGTH (λ D): YELLOW 587nm TYP. at IF=20mA
 FORWARD VOLTAGE (VF): YELLOW 2.1V TYP. at IF=20mA
- 5 RJ45 CAVITY CONFORMS TO FCC RULES AND REGULATION PART 68 SUBPART F.
- 6 TRP CONNECTOR LOGO, PART NUMBER, DATE CODE, COUNTRY OF ORIGIN, AGENCY APPROVAL MARKING IN APPROPRIATE LOCATION SHOWN. DATE CODE: YYWWD
 "YY" IS YEAR, "WW" IS WORK WEEK, "D" IS DAY OF WEEK, WITH SUNDAY=1.
7. PART IS RECOMMENDED FOR WAVE SOLDERING PROCESS, PEAK WAVE SOLDERING TEMPERATURE IS 260°C, 10 SECONDS MAX.



GREEN	YELLOW	GREEN	YELLOW	2250934-1
20 — > 19	19 — > 20	18 — > 17	17 — > 18	PART NUMBER
LED 2		LED 1		

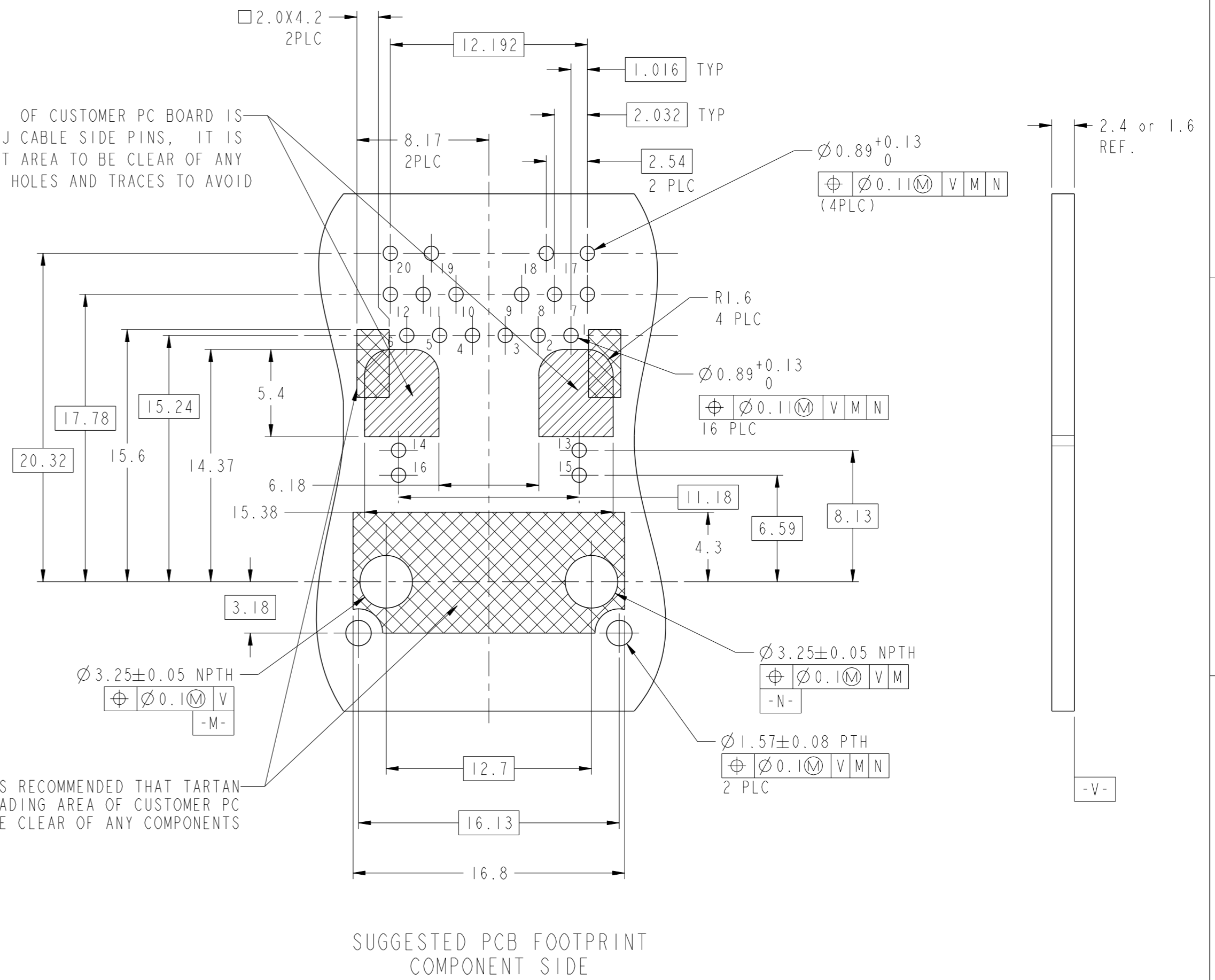
THIS DRAWING IS A CONTROLLED DOCUMENT, AND COMPLIANT TO ASME Y14.5M		DWN JARRY YE / XENIA WANG 22AUG2024	trp CONNECTOR a bel group DONGGUAN CHINA
DIMENSIONS: mm		CHK TOWER YU / BILL LIU 22AUG2024	
TOLERANCES UNLESS OTHERWISE SPECIFIED:		APVD TONY YUAN 22AUG2024	DESC IXI TUTGOIRMET 10G 4PPoE 100W EXTENDED TEMPERATUR TAB UP, W/ LEDS
0 PLC ± 1 PLC ±0.25 2 PLC ±0.25 3 PLC ±0.25 4 PLC ± ANGLES ± APPLICATION SPEC		MODEL NAME MAGJACK SINGLE 4PPOE	SIZE A2
PRODUCT SPEC 108-104004		DRAWING NO C-2250934	
		RESTRICTED TO -	
		CUSTOMER DRAWING	
		SCALE NTS	SHEET 1 OF 3
		REV 1	

7UTGOIRMET 10 GIGABIT 100W CIRCUIT



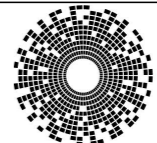
THE SHADED AREA OF CUSTOMER PC BOARD IS EQUIVALENT TO RJ CABLE SIDE PINS, IT IS RECOMMENDED THAT AREA TO BE CLEAR OF ANY COMPONENTS, VIA HOLES AND TRACES TO AVOID HI-POT FAILURE

IT IS RECOMMENDED THAT TARTAN SHADING AREA OF CUSTOMER PC BOARD BE CLEAR OF ANY COMPONENTS



THIS DRAWING IS A CONTROLLED DOCUMENT. AND COMPLIANT TO ASME Y14.5M		DWN: 22AUG2024 JARRY YE / XENIA WANG CHK: 22AUG2024 TOWER YU / BILL LIU APVD: 22AUG2024 TONY YUAN		trp CONNECTOR a bel group DONGGUAN CHINA	
DIMENSIONS: mm		TOLERANCES UNLESS OTHERWISE SPECIFIED: 0 PLC ± 1 PLC ±0.25 2 PLC ±0.25 3 PLC ±0.25 4 PLC ± ANGLES ± APPLICATION SPEC		MODEL NAME: MAGJACK SINGLE 4PPOE DESC: IXI 7UTGOIRMET 10G 4PPOE 100W EXTENDED TEMPERATUR TAB UP, W/ LEDS SIZE: A2 CAGE CODE: C-2250934 DRAWING NO: C-2250934 RESTRICTED TO: -	
PRODUCT SPEC: 108-104004		CUSTOMER DRAWING		SCALE: NTS SHEET 2 OF 3 REV 1	

C_2250934						STOCK DISPOSITION			
						A:CONTINUE AS IS B:REWORK C:SCRAP		D:USE OLD FIRST E:PARTS TO CONFORM F:OTHER	
REVISION HISTORY									
DATE	REV	CHANGE	REASON	APPROVAL	INVENTORY (A,B,C,D,E,F)	WORK IN PROCESS (A,B,C,D)	SUPPLIER ORDERS (A,E,F)	OPEN CUST ORDERS (A,E,F)	
22AUG2024	I	-	INITIAL RELEASE	TONY YUAN	-	-	-	-	

THIS DRAWING IS A CONTROLLED DOCUMENT. AND COMPLIANT TO ASME Y14.5M		DWN JARRY YE / XENIA WANG 22AUG2024	 trp CONNECTOR a bel group	DONGGUAN CHINA													
DIMENSIONS: mm		CHK TOWER YU / BILL LIU 22AUG2024		DESC IXI 7UTGOIRMET 10G 4PPoE 100W EXTENDED TEMPERATUR TAB UP, W/ LEDS													
TOLERANCES UNLESS OTHERWISE SPECIFIED:		APVD TONY YUAN 22AUG2024	MODEL NAME MAGJACK SINGLE 4PPOE		RESTRICTED TO -												
<table border="1"> <tr><td>0 PLC</td><td>±</td></tr> <tr><td>1 PLC</td><td>±0.25</td></tr> <tr><td>2 PLC</td><td>±0.25</td></tr> <tr><td>3 PLC</td><td>±0.25</td></tr> <tr><td>4 PLC</td><td>±</td></tr> <tr><td>ANGLES</td><td>±</td></tr> </table>		0 PLC	±	1 PLC	±0.25	2 PLC	±0.25	3 PLC	±0.25	4 PLC	±	ANGLES	±	SIZE A2		CAGE CODE G-2250934	SCALE NTS
0 PLC	±																
1 PLC	±0.25																
2 PLC	±0.25																
3 PLC	±0.25																
4 PLC	±																
ANGLES	±																
PRODUCT SPEC 108-104004		APPLICATION SPEC -		CUSTOMER DRAWING													
		SHEET 3 OF 3		REV 1													