

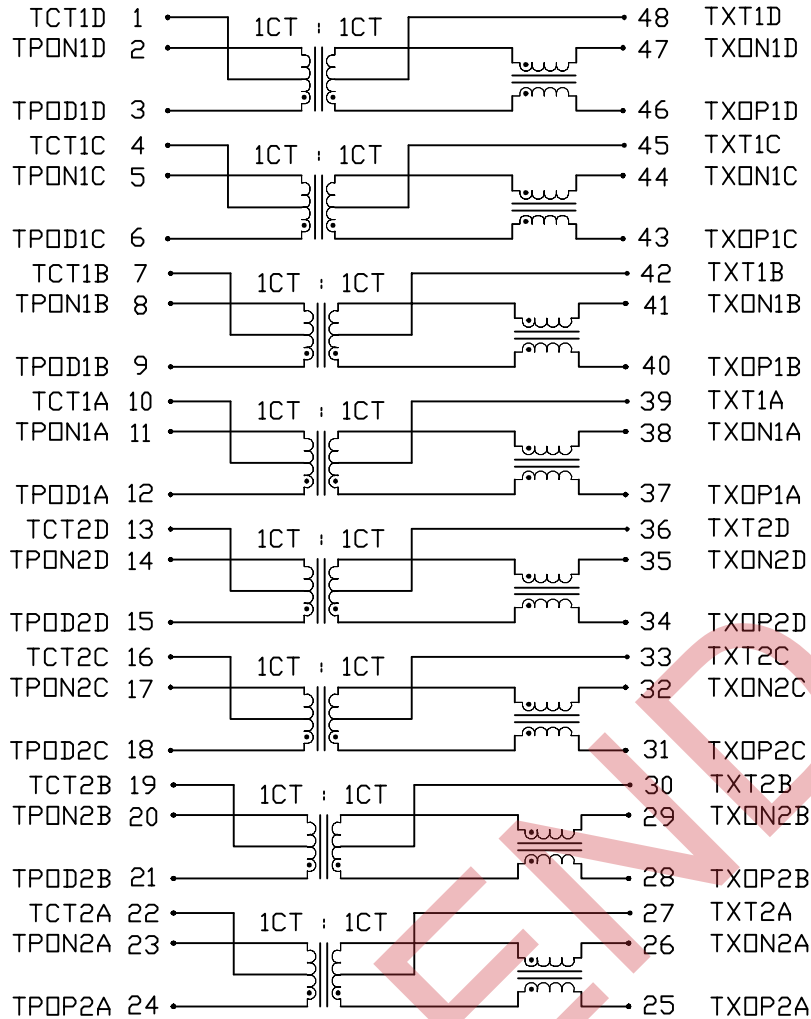
THE INFORMATION CONTAINED HEREIN IS CONSIDERED "PROPRIETARY" TO BEL FUSE INC. AND SHALL NOT BE COPIED, REPRODUCED OR DISCLOSED WITHOUT THE WRITTEN APPROVAL OF BEL FUSE INC.

RoHS



SCHEMATIC

ELECTRICAL CHARACTERISTICS @ 25°C



URNS RATIO

1CT : 1CT ±2%

CL

350μH MIN. @100kHz, 100mV, WITH 8mA D.C. BIAS
PIN (46-47), (43-44), (40-41), (37-38)
PIN (34-35), (31-32), (28-29), (25-26)

INSERTION LOSS

FREQ.	1MHz	65MHz	100MHz	125MHz
MAX.	0.8dB	0.8dB	1.0dB	1.5dB

RETURN LOSS

MEASURED UNDER A
100 Ω ENVIRONMENT

FREQ.	500KHz	40MHz	60MHz	80MHz	100MHz
MIN.	18dB	15dB	13dB	10dB	9dB

COMMON TO COMMON
MODE REJECTION

30dB MIN. @ 0.1 TO 100MHz

CROSSTALK

33-20LOG(f/100MHz)dB MIN. @ 1 TO 100MHz

HIPOT

PER HAND-WORK-03

ORIGINATED BY	DATE	TITLE
Alice Pang	2019-11-15	ELECTRICAL SPECIFICATION S558-5999-DL
DRAWN BY	DATE	
ZC Guo	2019-11-15	

PART NO. / DRAWING NO.	STANDARD DIM.	[] METRIC DIM. AS REF.
S558-5999-DL	TOL. IN INCH	UNIT : INCH [mm]
FILE NAME	.X	SCALE : N/A
S5585999DLB.DWG	.XX	SIZE : A4
	.XXX	

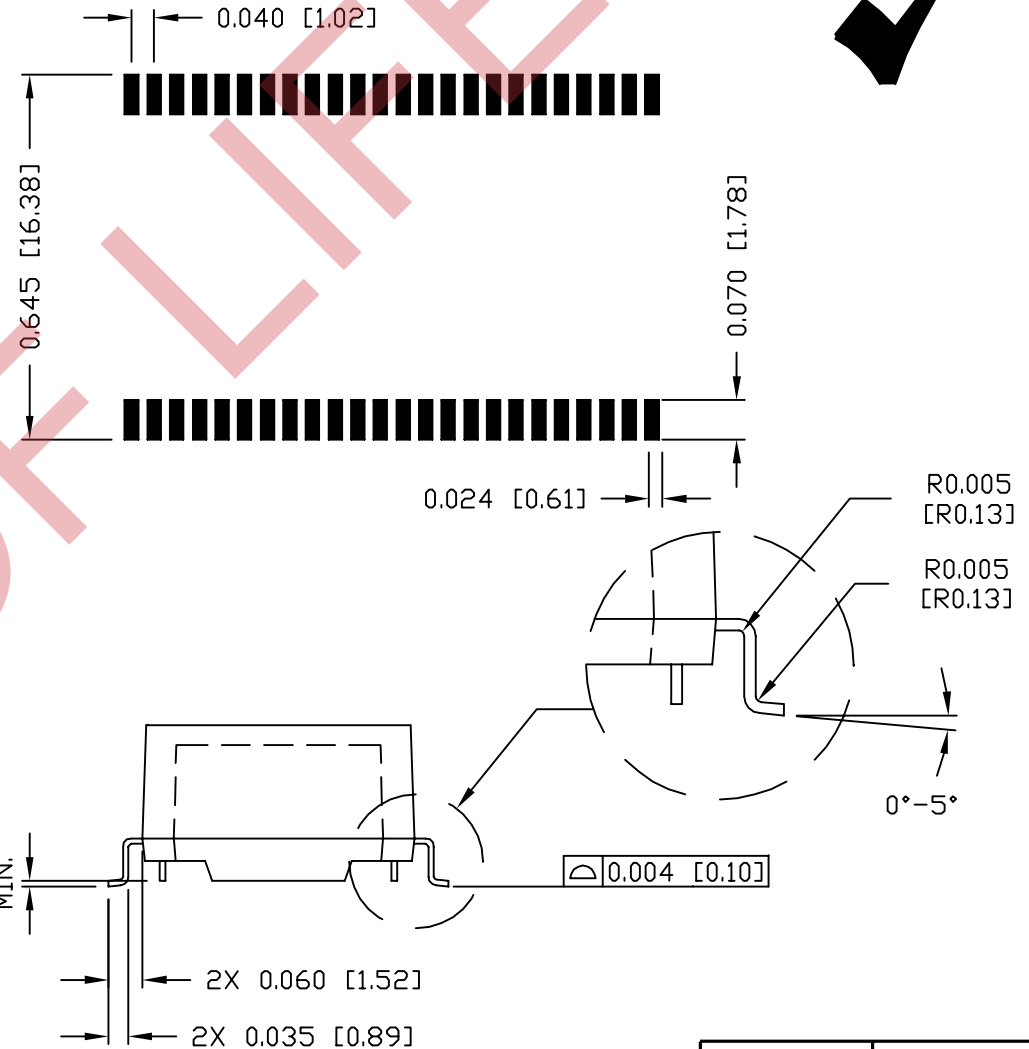
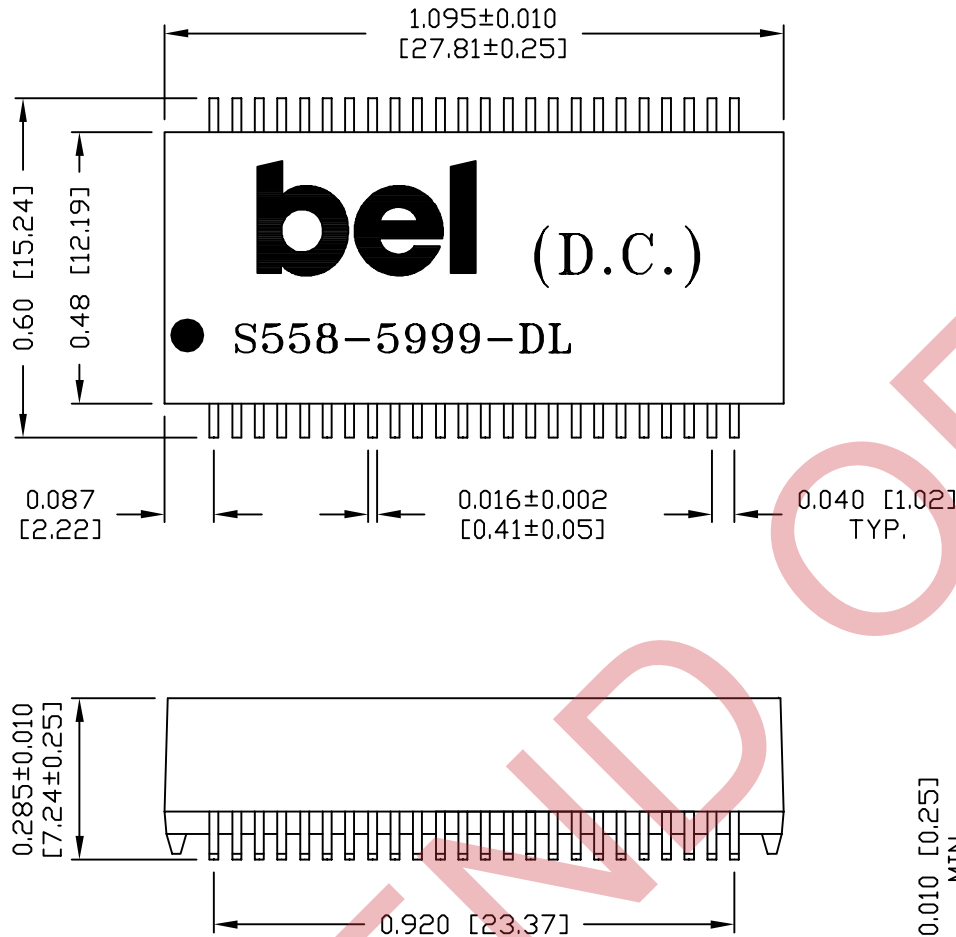
REV. :	PAGE :
B	2

[] METRIC DIM. AS REF.	
UNIT : INCH [mm]	
SCALE : N/A	
SIZE : A4	

THE INFORMATION CONTAINED HEREIN IS CONSIDERED "PROPRIETARY" TO BEL FUSE INC. AND SHALL NOT BE COPIED, REPRODUCED OR DISCLOSED WITHOUT THE WRITTEN APPROVAL OF BEL FUSE INC.



SUGGESTED PCB PAD LAYOUT



NOTES:

- STANDARD MARKING REFER TO DOC. HAND-WORK-04.
- PACKAGE CODE: "QVS001".

ORIGINATED BY		DATE	TITLE	PART NO. / DRAWING NO.	STANDARD DIM. [] METRIC DIM. AS REF.		REV. : B	PAGE : 3	
Lawrence Tsang		2019-11-15	MECHANICAL DRAWING S558-5999-DL	S558-5999-DL	TOL. IN INCH		UNIT : INCH [mm]		
DRAWN BY		DATE		FILE NAME	.X	.XX ±0.01		SCALE : N/A	
ZC Guo		2019-11-15		S5585999DLB.DWG	.XXX	±0.005		SIZE : A4	

