

THE INFORMATION CONTAINED HEREIN IS CONSIDERED "PROPRIETARY" TO BEL FUSE INC. AND SHALL NOT BE COPIED, REPRODUCED OR DISCLOSED WITHOUT THE WRITTEN APPROVAL OF BEL FUSE INC.

LED1 POLARITY			LED2 POLARITY		
PIN 17	PIN 18	COLOR	PIN 19	PIN 20	COLOR
-	+	YELLOW	-	+	GREEN



**ELECTRICAL CHARACTERISTICS @ 25°C**

**TURNS RATIO**

TP1	1CT : 1CT	±2%
TP2	1CT : 1CT	±2%
TP3	1CT : 1CT	±2%
TP4	1CT : 1CT	±2%

**OCL @ 100kHz/100mVRMS**

(-40°C - 85°C) 180µH MIN.

19mA DC BIAS(-40°C - 85°C) 120µH MIN.

**RET. LOSS (MIN)**

1MHz-40MHz -18 dB MIN

40MHz-250MHz -18+10LOG10(F/40MHz) dB MIN

**CM TO CM REJ**

100kHz - 100MHz -30 dB MIN

**CM TO DM REJ**

100kHz - 100MHz -35 dB MIN

**HIPOT (Isolation Voltage):** 2250 VDC

100% OF PRODUCTION TESTED TO COMPLY WITH

IEEE 802.3 ISOLATION REQUIREMENTS.

**LED 1**

VF (FORWARD VOLTAGE) IF=20mA YELLOW 2.1V TYP.

λD (DOMINANT WAVELENGTH) IF=20mA YELLOW 590nm TYP.

**LED 2**

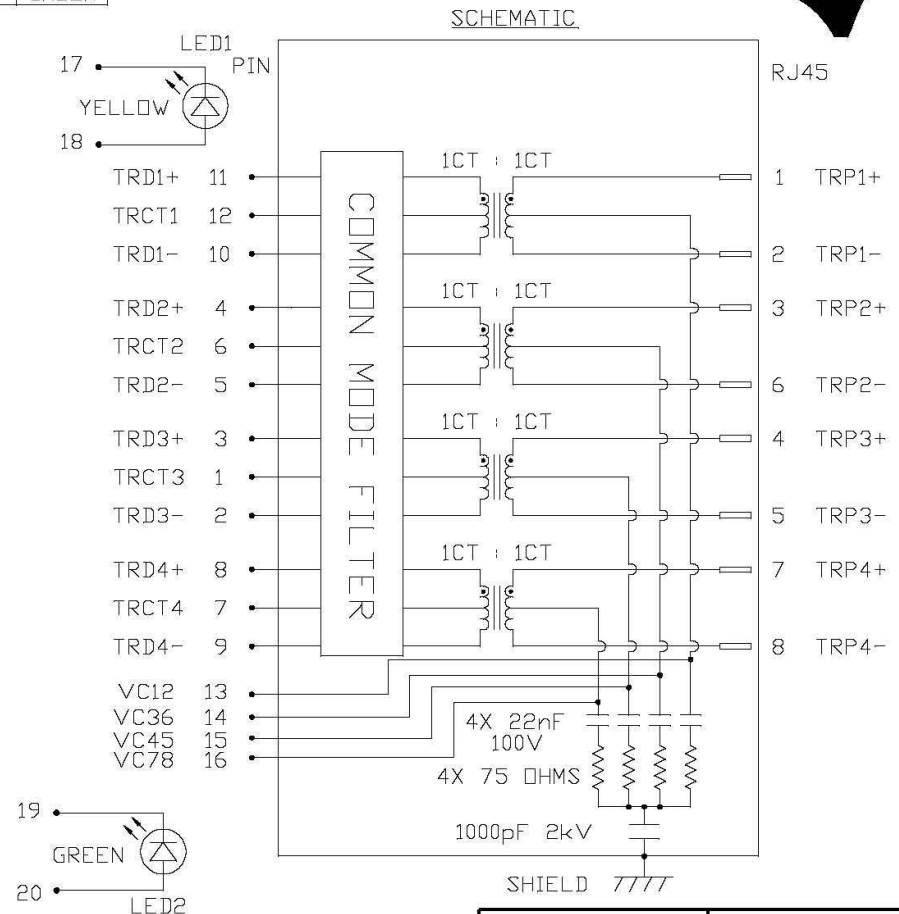
VF (FORWARD VOLTAGE) IF=20mA GREEN 2.2V TYP.

λD (DOMINANT WAVELENGTH) IF=20mA GREEN 570nm TYP.

**BALANCED DC LINE CURRENT** 600mA MAX CONTINUOUS

1.2A MAX. FOR 200 MILLISECONDS

**OPERATING TEMPERATURE:** -40°C TO 85°C



ORIGINATED BY  
CHOW WANCHUNG  
DATE 2020-08-07

DRAWN BY  
XIE YIMING  
DATE 2020-08-07

TITLE  
5 gigabit MagJack®  
Vertical, 4PPoE  
PATENTED

PART NO. / DRAWING NO.  
V8BR-1AX1-JK  
FILE NAME  
V8BR-1AX1-JK\_PC.DWG

STANDARD DIM. [ ] METRIC DIM.  
TOL. IN INCH AS REF.  
.X UNIT : INCH [mm]  
.XX SCALE : N/A  
.XXX SIZE : A4

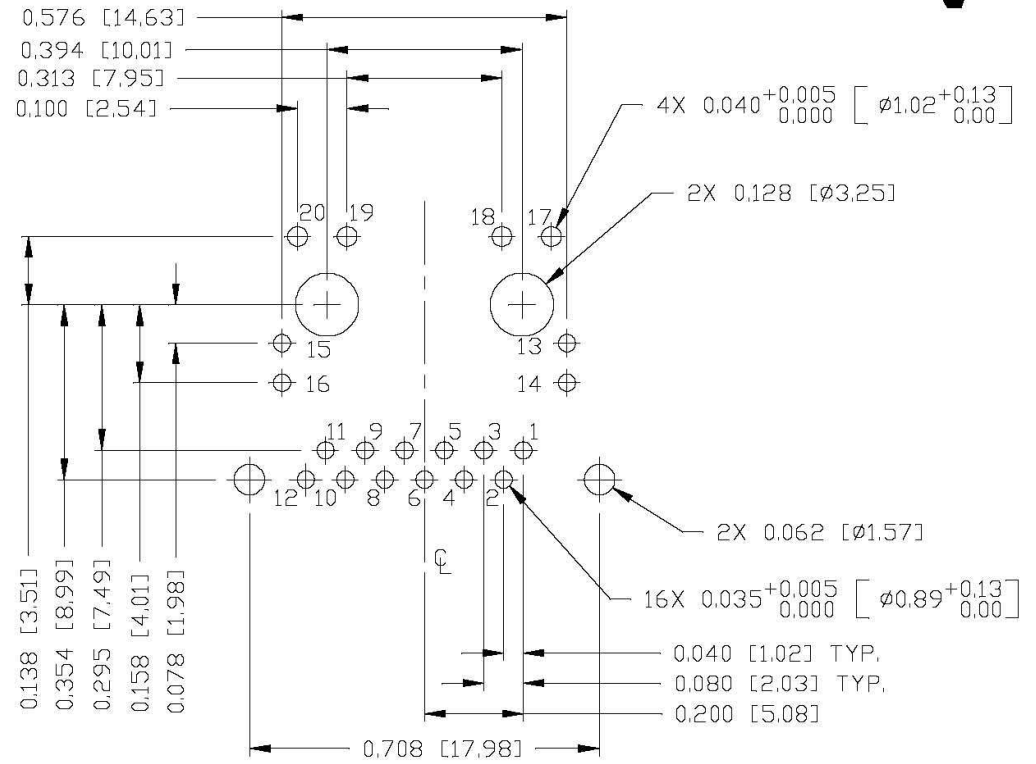
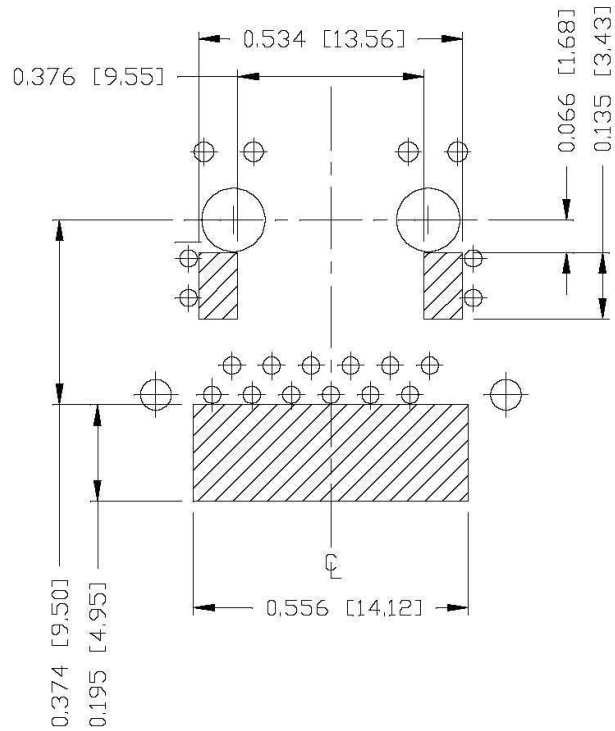
REV. : PC PAGE : 2





THE INFORMATION CONTAINED HEREIN IS CONSIDERED "PROPRIETARY" TO BEL FUSE INC. AND SHALL NOT BE COPIED, REPRODUCED OR DISCLOSED WITHOUT THE WRITTEN APPROVAL OF BEL FUSE INC.

RoHS



NOTES

THE SHADED AREA ON THE CUSTOMER BOARD ARE RECOMMENDED TO BE CLEAR OFF ANY VIA HOLE OR COMPONENT PAD.

RECOMMENDED PCB FOOTPRINT  
COMPONENT SIDE VIEW

ORIGINATED BY  
LI QUANKUN  
DATE 2020-08-07  
DRAWN BY  
OLIVER ZHANG  
DATE 2020-08-07

TITLE  
5 glgabit MagJack®  
Vertical, 4PPoE  
PATENTED

PART NO. / DRAWING NO.  
V8BR-1AX1-JK  
FILE NAME  
V8BR-1AX1-JK\_PC.DWG

STANDARD DIM. TOL. IN INCH	[ ] METRIC DIM. AS REF.
.X	UNIT : INCH [mm]
.XX	SCALE : N/A
.XXX ±0.004	SIZE : A4

REV. : PC PAGE : 4

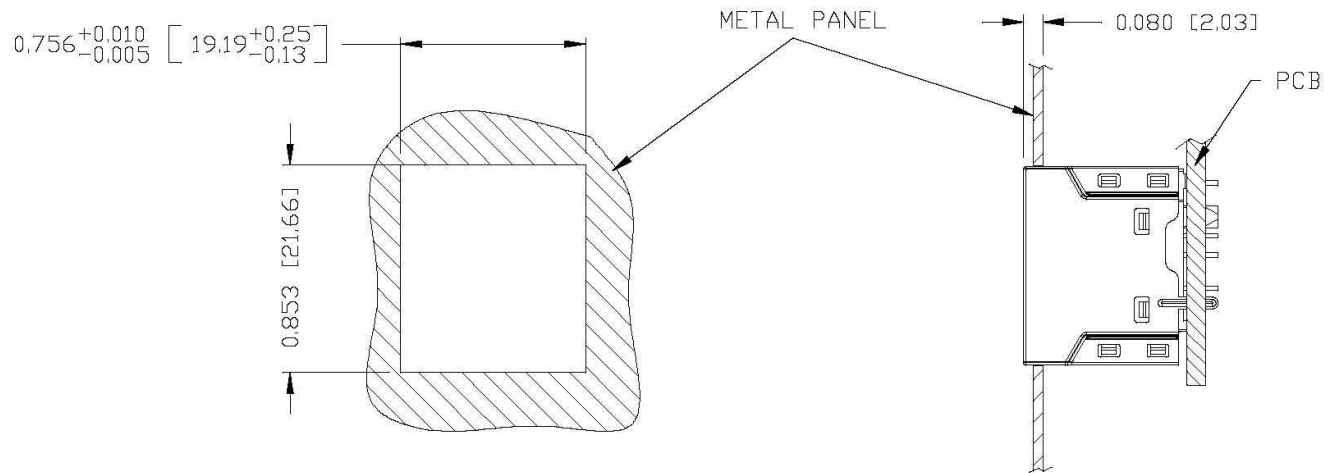


THE INFORMATION CONTAINED HEREIN IS CONSIDERED "PROPRIETARY" TO BEL FUSE INC, AND SHALL NOT BE COPIED, REPRODUCED OR DISCLOSED WITHOUT THE WRITTEN APPROVAL OF BEL FUSE INC.

RoHS



SUGGESTED PANEL OPENING



NOTES:

THE DISTANCE OF PANEL INSIDE SURFACE RELATIVE TO FRONT SURFACE OF PART IS ONLY A SUGGESTION. IN CASE THIS DISTANCE IS DIFFERENT, THE REQUIRED PANEL OPENING DIMENSIONS CHANGE ACCORDINGLY.

PACKING INFORMATION

PACKING TRAY : 0200M9999-T1(TOP)

0200M9999-T0(BOTTOM)

PACKING QUANTITY : 50 PCS FINISHED GOODS PER TRAY

9 TRAYS (450 PCS FINISHED GOODS) PER CARTON BOX

NOTER: CARDBOARDS ARE PLACED BETWEEN LAYERS OF PACKING TRAY INSIDE CARTON BOX (INCLUDE THE UPPERMOST AND LOWERMOST TRAY)

REV. : PC PAGE : 5

ORIGINATED BY LI QUANKUN DATE 2020-08-07	TITLE 5 gigabit MagJack® Vertical, 4PPoE PATENTED	PART NO. / DRAWING NO. V8BR-1AX1-JK	STANDARD DIM. TOL. IN INCH	[ ] METRIC DIM. AS REF.	 a bel group
		FILE NAME V8BR-1AX1-JK_PC.DWG	.X .XX .XXX	UNIT : INCH [mm] SCALE : N/A SIZE : A4	
		.XXX ±0.005	[Symbol]		

DC002(2)120214

This document is electronically generated. This is a controlled copy if used internally