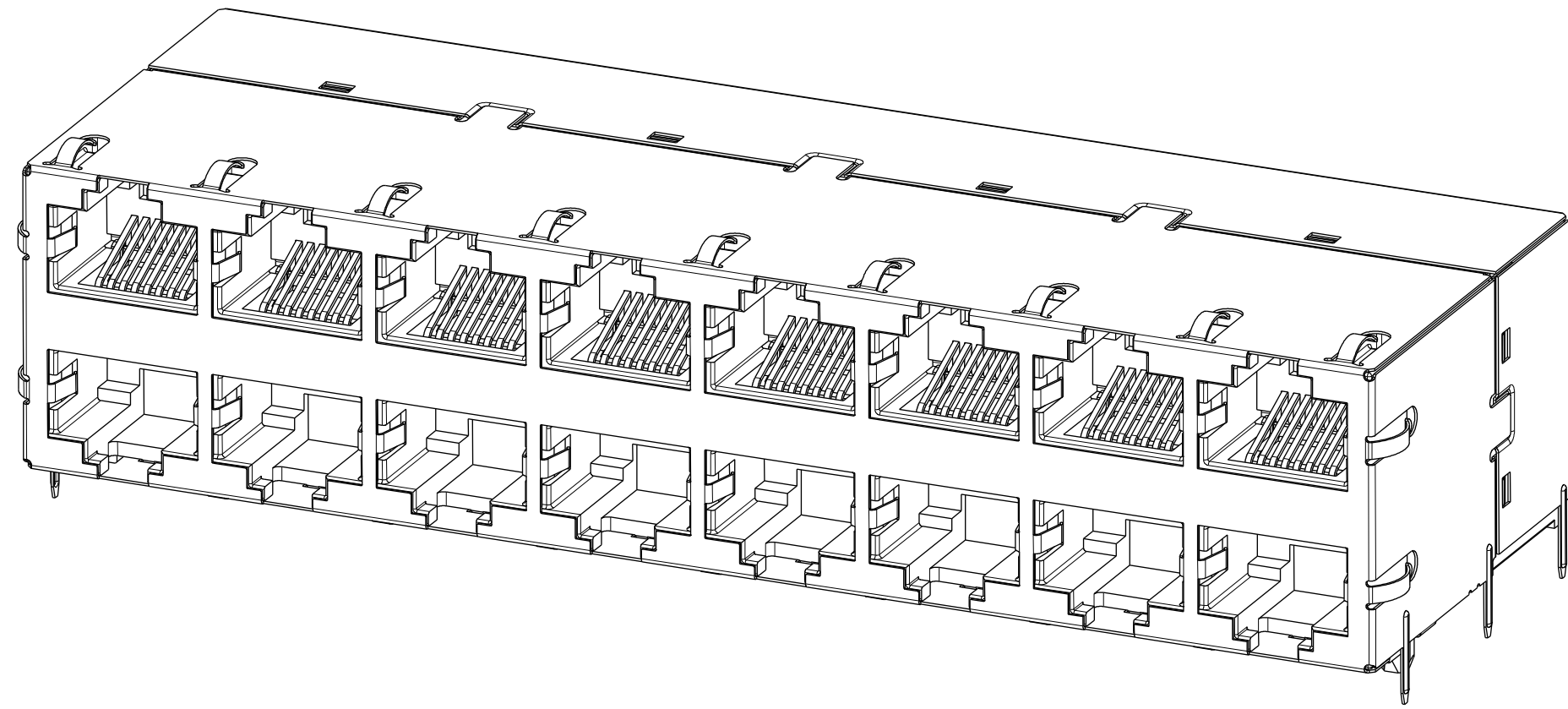


THIS DRAWING AND THE SUBJECT MATTER SHOWN THEREON ARE CONFIDENTIAL AND THE PROPERTY OF BEL/STEWART/TRP CONNECTOR AND SHALL NOT BE REPRODUCED, COPIED, OR USED IN ANY MANNER WITHOUT THE WRITTEN CONSENT OF TRP CONNECTOR.

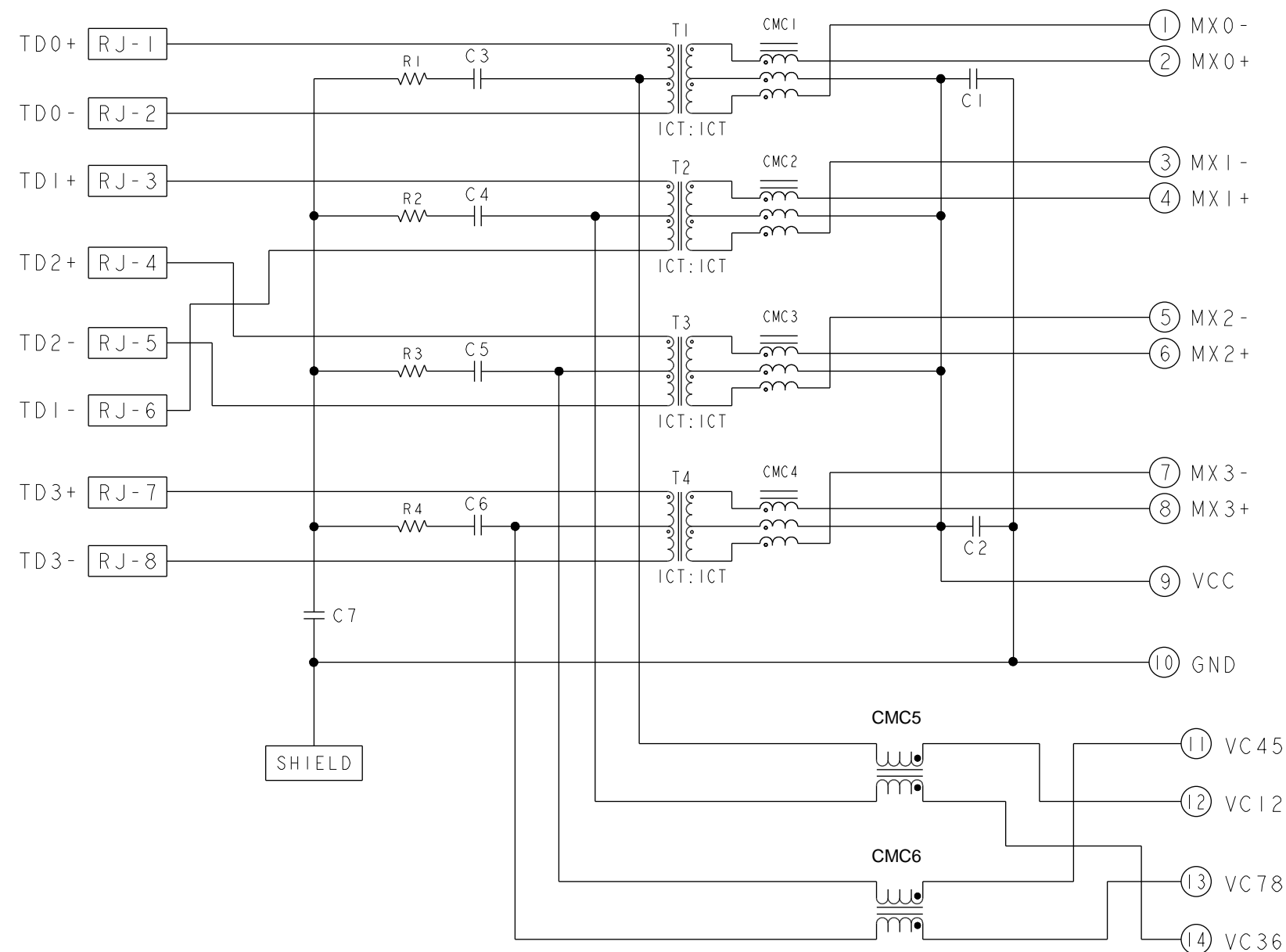
PRODUCT MAY BE PROTECTED BY ONE OR MORE OF THE FOLLOWING US PATENTS:  
 5736910 5939955 6425781 6428361 6554638 6840817 7123117  
 7429195 7717749 7808751 6217391 6149050 7924130

REVISIONS				
P	LYR	DESCRIPTION	DATE	APPD
3		SEE FINAL SHEET	01NOV2019	RL TY



### S9UQG02 2.5G 4PPOE CIRCUIT $\Delta$ $\Delta$

TOP AND BOTTOM PORTS

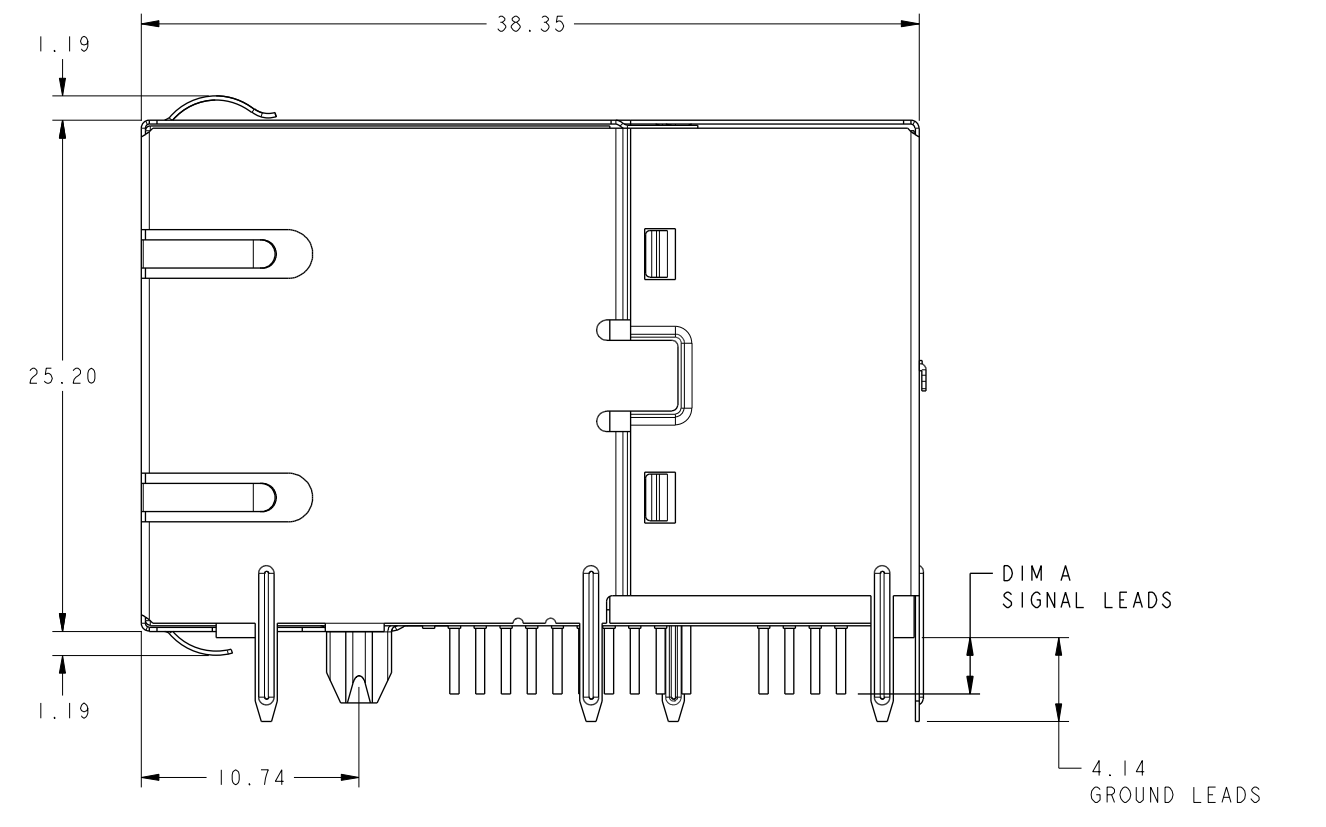
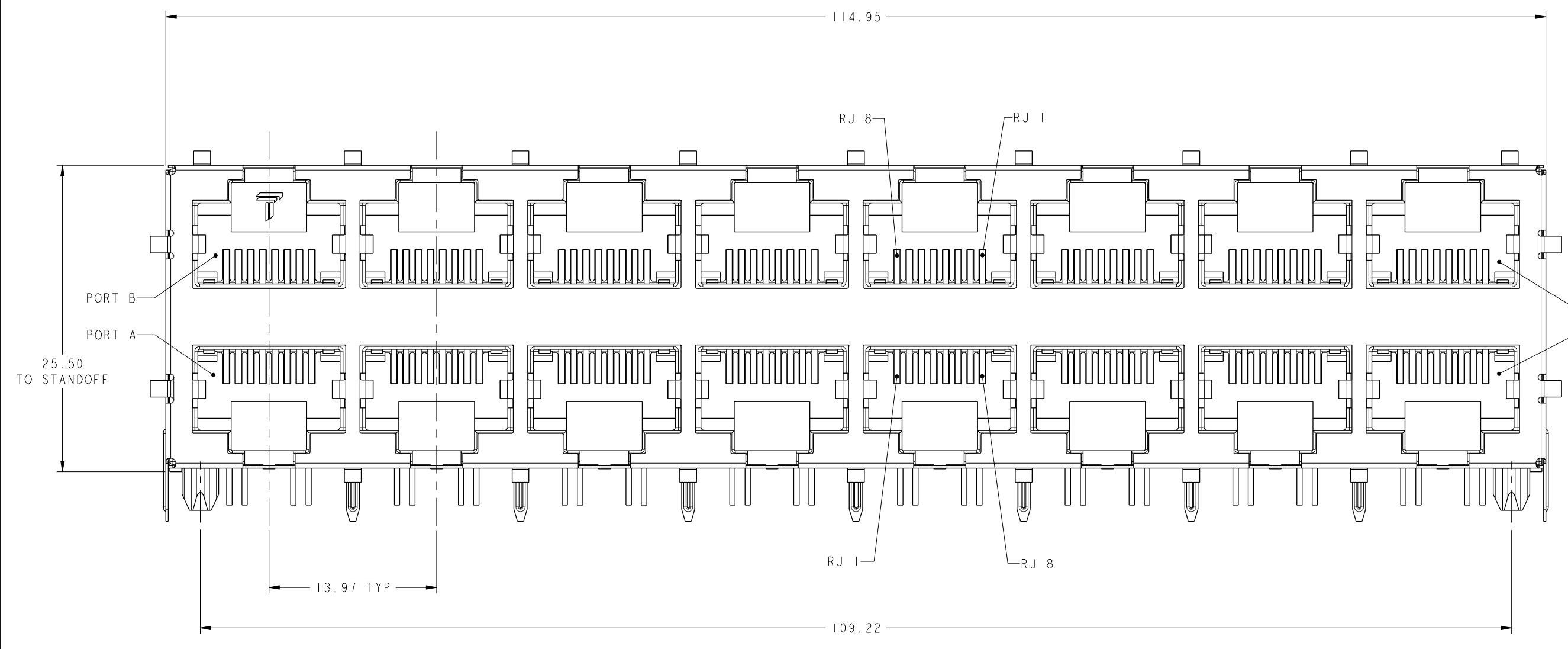
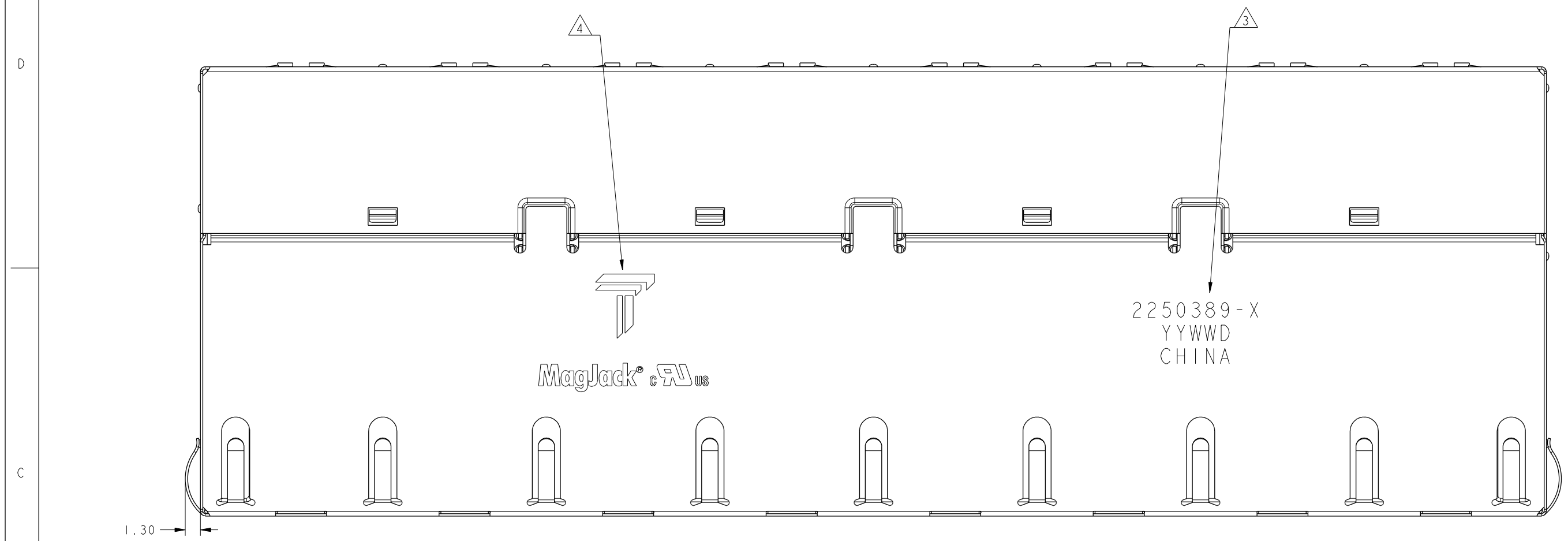


C1-C2 = 10nF, 50V, X7R, CAPACITORS  
 C3-C6 = 22nF, 100V, CAPACITORS  
 C7 = 1000pF, 2kV, CAPACITOR  
 R1-R4 = 75 Ohms, 1/16W, RESISTORS

1. MATERIALS:  
 PLASTIC HOUSING: BLACK, THERMOPLASTIC FLAMMABILITY RATING UL 94V-0  
 SHIELD: BRASS, PREPLATED WITH 0.76um MIN SEMI-BRIGHT NICKEL,  
 POST DIPPED WITH 2.54um MIN SAC SOLDER OR PURE TIN SOLDER DIP  
 ON SOLDER TAILS,  
 CONTACTS: PHOSPHOR BRONZE, 1.27um MIN OVERALL NICKEL  
 UNDERPLATE WITH SELECT 1.27um MIN GOLD AT MATING INTERFACE AND  
 2.54um MIN MATTE TIN ON SOLDER TAILS.
2. MAGNETICS  
 APPLICATION: 2.5G BASE-T, 4PPOE  
 IMPEDANCE: 100 OHMS  
 TURNS RATIO (CHIP:CABLE): 1:1 ALL FOUR PAIRS  
 OPEN CIRCUIT INDUCTANCE (OCL):  
 ALL CHANNELS 180uH MIN @ 100KHz, 0.1 VRMS WITH 8mA DC BIAS FROM 0°C TO 70°C,  
 120uH MIN @ 100KHz, 0.1 VRMS WITH 23mA DC BIAS FROM 0°C TO 70°C  
 ALL FOUR PAIRS BI-DIRECTIONAL  
 POE CURRENT: 1A DC MAX  
 PERFORMANCE @ 25°C:  
 INSERTION LOSS (IL): 0.004\*(f) + 0.5 MAX FROM 1MHz TO 125MHz  
 RETURN LOSS (RL): 18dB MIN FROM 1MHz TO 40MHz  
 18 - 15LOG10( f/40 )dB MIN FROM 40MHz TO 125MHz  
 CROSSTALK ATTENUATION: 35dB MIN FROM 1MHz TO 40MHz  
 35 - 15LOG10( f/40 )dB MIN FROM 40MHz TO 125MHz  
 COMMON MODE REJECTION: 25dB MIN FROM 1MHz TO 125MHz  
 ISOLATION VOLTAGE: 2250VDC(MAX) FOR 60 SECONDS WITH A RISE TIME OF  
 500V/SEC AND WITH ALL PORTS CONNECTED.
3. PART NUMBER, DATE CODE AND COUNTRY OF ORIGIN ARE  
 LOCATED IN APPROXIMATE AREA SHOWN.  
 DATE CODE: YYWW WHERE "YY" IS YEAR, "WW" IS WORK WEEK, "D" IS DAY  
 OF WEEK, WITH SUNDAY = 1
4. TRP CONNECTOR LOGO AND AGENCY APPROVAL LOGO ARE  
 LOCATED IN APPROXIMATE AREA SHOWN.
5. OPERATING TEMP: FROM 0°C TO 70°C.
6. RJ45 CAVITY CONFORMS TO FCC RULES AND REGULATION PART 68 SUBPART F.
7. INDICATED MAGNETIC CONNECTIONS ARE SYMMETRICAL AND  
 SUPPORT AUTO-MDI/MDIX.
8. DATUM AND BASIC DIMENSION ESTABLISHED BY CUSTOMER.
9. BASIC DIMENSION ESTABLISHED BY CUSTOMER, BUT MAY NOT BE  
 GREATER THAN 5.08mm.
10. THE PARTS ARE RECOMMENDED FOR WAVE SOLDERING PROCESS,  
 PEAK TEMPERATURE 260°C MAX, 10 SECONDS MAX.

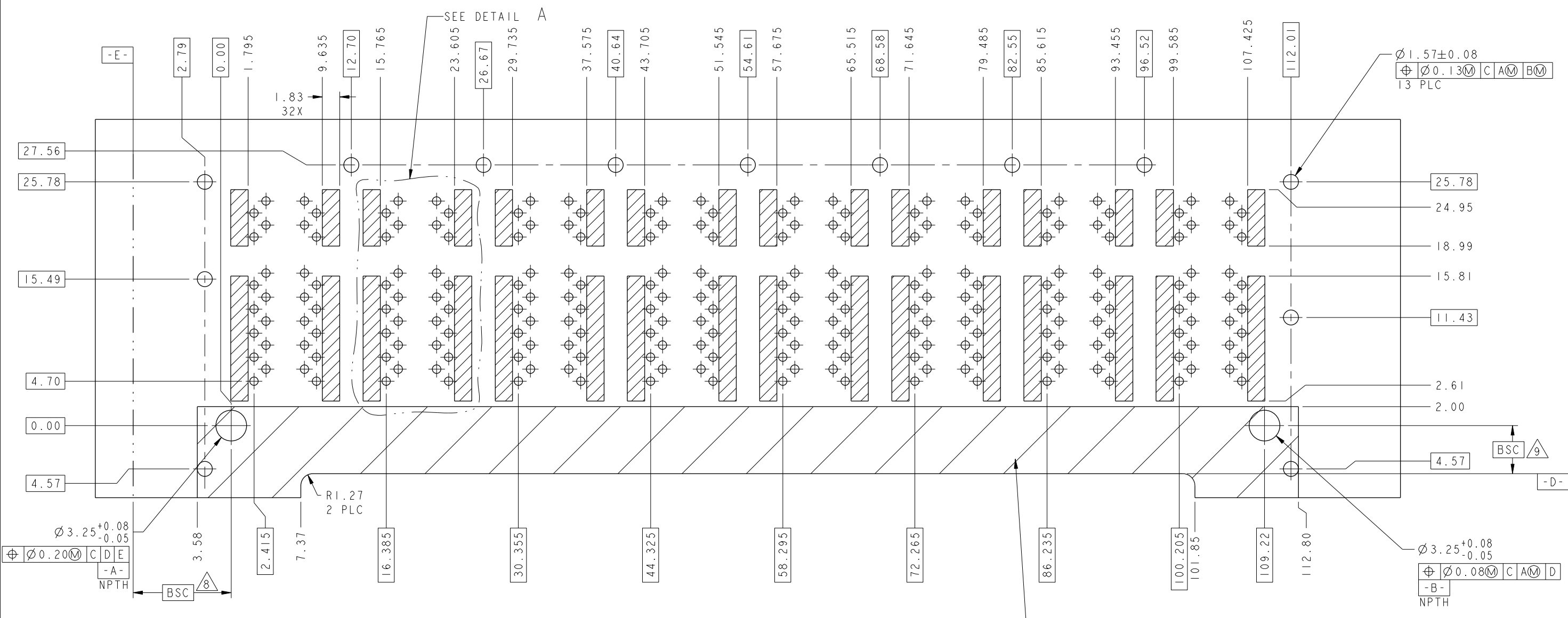
2.79	2250389-1
DIM A	PART NUMBER

THIS DRAWING IS A CONTROLLED DOCUMENT. AND COMPLIANT TO ASME Y14.5M		DWN: RICK LI TOMAR2016 CHK: TOMMY REN/BILL LIU TOMAR2016 APPD: TONY YUAN TOMAR2016	trp CONNECTOR DONGGUAN CHINA
DIMENSIONS: mm	TOLERANCES UNLESS OTHERWISE SPECIFIED: 0 PLC ±0.25 1 PLC ±0.25 2 PLC ±0.25 3 PLC ± 4 PLC ± ANGLES ±	MODEL NAME: MAGJACK STACK 4PPOE DESC: 2X8 S9UQG02 2.5G 4PPOE 100W CIRCUIT	
PRODUCT SPEC:	APPLICATION SPEC:	SIZE: A1 SCALE: NTS SHEET: 1 of 5 REV: 3	RESTRICTED TO:



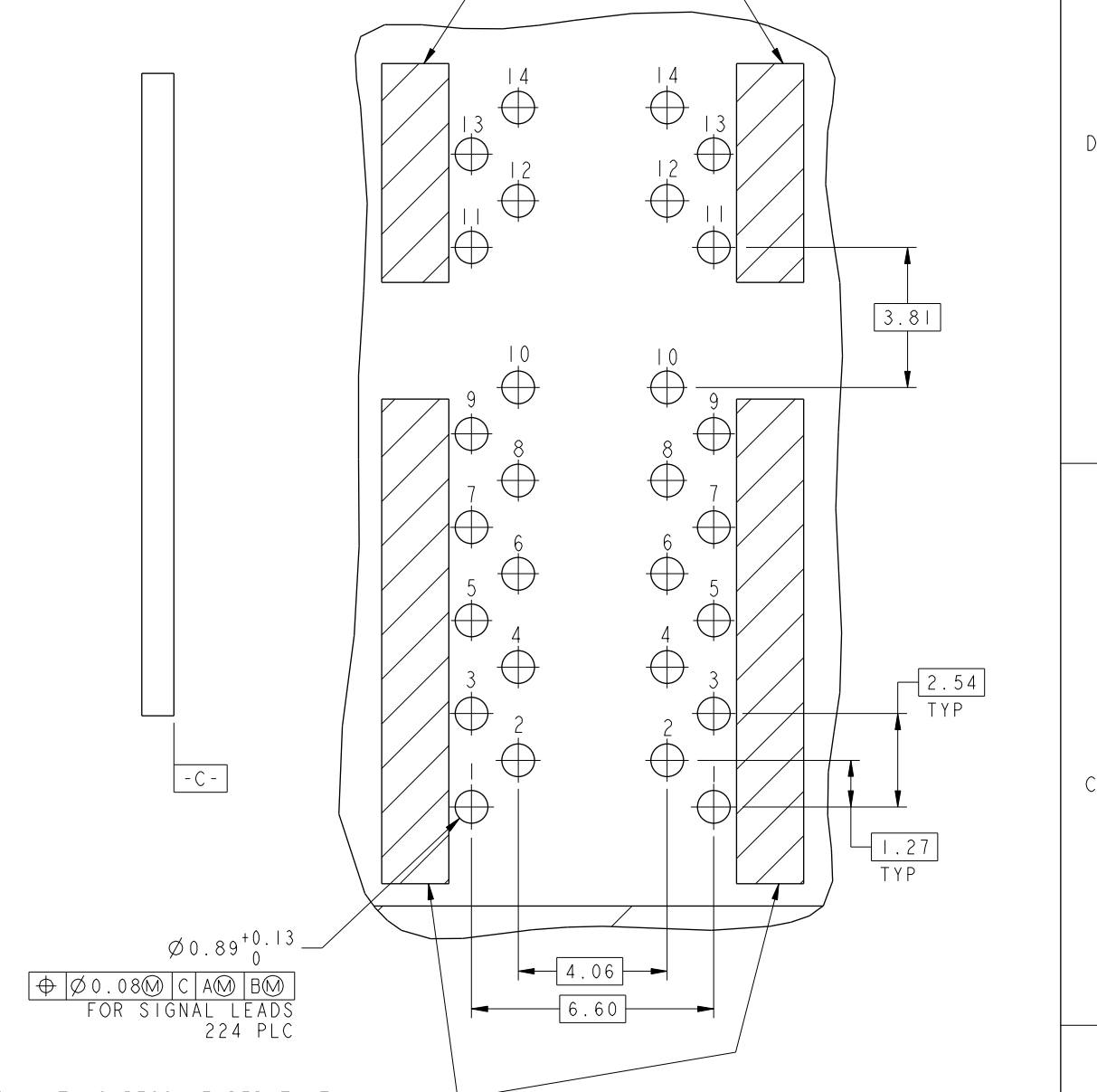
THIS DRAWING IS A CONTROLLED DOCUMENT AND COMPLIANT TO ASME Y14.5M		DWN: RICK LI TOMAR2016 CHK: TOMMY REN/BILL LIU TOMAR2016 APPR: TONY YUAN TOMAR2016	trp CONNECTOR a bel group DONGGUAN CHINA
DIMENSIONS: mm	TOLERANCES UNLESS OTHERWISE SPECIFIED: 0 PLC ±0.25 1 PLC ±0.25 2 PLC ±0.25 3 PLC ± 4 PLC ± ANGLES ± APPLICATION SPEC	MODEL NAME: MAGJACK STACK 4PPOE	
PRODUCT SPEC:	APPLICATION SPEC:	CUSTOMER DRAWING	RESTRICTED TO: SCALE: NTS SHEET: 2 OF 5 REV: 3

POE STUB PINS AREA, IT IS RECOMMENDED THAT ANY VIA HOLES, TRACES WHICH HAVE EQUAL POTENTIAL AS THE PHY SIDE SIGNALS OR GROUND SHOULD HAVE ENOUGH CLEARANCE FROM THE SHADED AREA FOR ISOLATION VOLTAGE.



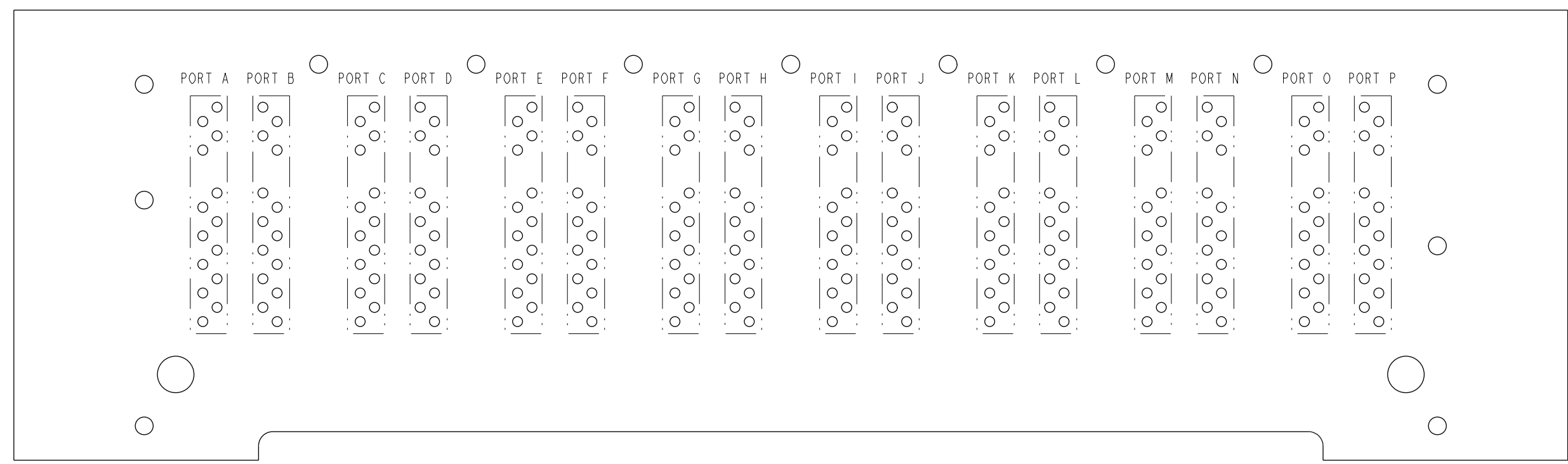
RECOMMENDED PCB LAYOUT COMPONENT SIDE VIEW

IT IS RECOMMENDED THAT SHADED AREA OF CUSTOMER PC BOARD BE CLEAR OF ANY VIA HOLE, COMPONENT AND CIRCUIT TRACE.



PHY SIDE STUB PINS AREA, IT IS RECOMMENDED THAT ANY VIA HOLES, TRACES WHICH HAVE EQUAL POTENTIAL AS THE CABLE SIDE SIGNAL OR POE SIGNAL SHOULD HAVE ENOUGH CLEARANCE FROM THE SHADED AREA FOR ISOLATION VOLTAGE.

DETAIL A SCALE 8:1

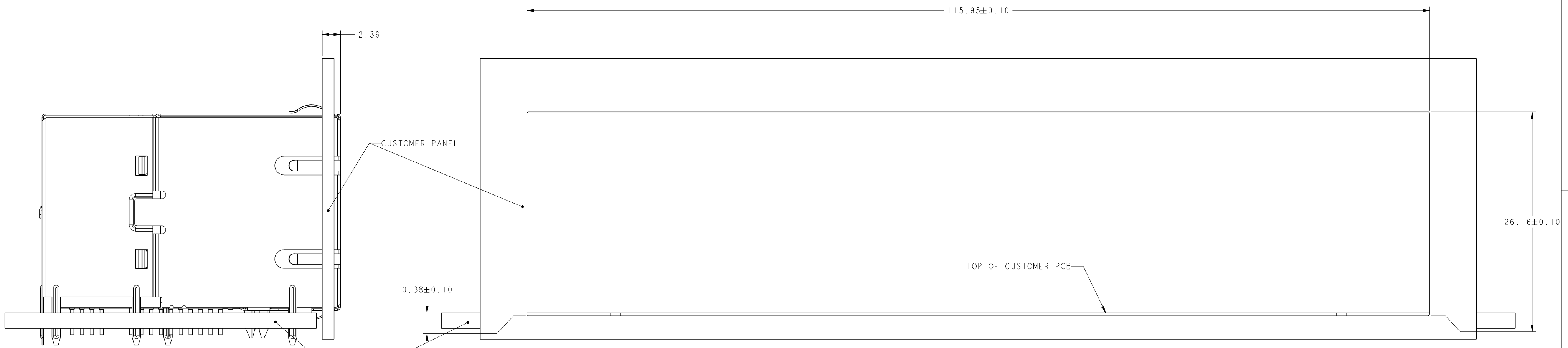


PORT ASSIGNMENT COMPONENT SIDE VIEW

THIS DRAWING IS A CONTROLLED DOCUMENT, AND COMPLIANT TO ASME Y14.5M		DNW: RICK LI TOMAR2016	 <b>trp</b> CONNECTOR a bel group DONGGUAN CHINA
DIMENSIONS: mm		CHK: TOMMY REN/BILL LIU TOMAR2016	
TOLERANCES UNLESS OTHERWISE SPECIFIED:		APPV: TONY YUAN TOMAR2016	DESC: 2X8 S9UQG02 2.5G 4PPOE 100W CIRCUIT
0 PLC ±0.25 1 PLC ±0.25 2 PLC ±0.25 3 PLC ± 4 PLC ± ANGLES ± APPLICATION SPEC ±		MODEL NAME: MAGJACK STACK 4PPOE	RESTRICTED TO: A1
PRODUCT SPEC		CAGE CODE: A1	DRAWING NO: C=2250389
		CUSTOMER DRAWING	SCALE: NTS SHEET 3 OF 5 REV 3


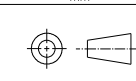
D  
C  
B  
A

D  
C  
B  
A




SHOWN WITH PANEL AND CUSTOMER PCB ASSEMBLY

SUGGESTED PANEL CUTOUT DIMENSIONS

THIS DRAWING IS A CONTROLLED DOCUMENT. AND COMPLIANT TO ASME Y14.5M		DWN: RICK LI TOMAR2016 CHK: TOMMY REN/BILL LIU TOMAR2016 APPR: TONY YUAN TOMAR2016	 <b>trp</b> CONNECTOR a bel group DONGGUAN CHINA
DIMENSIONS: mm	TOLERANCES UNLESS OTHERWISE SPECIFIED: 0 PLC ±0.25 1 PLC ±0.25 2 PLC ±0.25 3 PLC ± 4 PLC ± ANGLES ± APPLICATION SPEC	MODEL NAME: MAGJACK STACK 4PPOE DESC: 2X8 S9UQG02 2.5G 4PPOE 100W CIRCUIT	
	PRODUCT SPEC:	SIZE: A1 CAGE CODE: C=2250389 DRAWING NO:	RESTRICTED TO:
CUSTOMER DRAWING		SCALE: NTS	SHEET 4 OF 5 REV 3

2250389					STOCK DISPOSITION			
2X8 S9U0G02 2.5G 4PPOE 100W CIRCUIT					A: CONTINUE AS IS      D: USE OLD FIRST B: REWORK                E: PARTS TO CONFORM C: SCRAP                 F: OTHER			
REVISION HISTORY								
DATE	REV	CHANGES	REASON	APPROVAL	INVENTORY (A,B,C,D,E,F)	WORK IN PROCESS (A,B,C,F)	SUPPLIER ORDERS (A,E,F)	OPEN CUST ORDERS (A,E,F)
10MAR2016	1	-	INITIAL RELEASE	TY	-	-	-	-
24JUN2019	2	REMOVED LED, CHANGED CIRCUIT	CUSTOMER REQUEST	TY	-	-	-	-
01NOV2019	3	SHEET 3: ADDED KEEP-OUT ZONES FOR STUB PINS	CUSTOMER REQUEST	TY	-	-	-	-

THIS DRAWING IS A CONTROLLED DOCUMENT. AND COMPLIANT TO ASME Y14.5M		DNW RICK LI 10MAR2016	 <b>trp</b> CONNECTOR a bel group DONGGUAN CHINA
DIMENSIONS: mm		CHK TOMMY REN/BILL LIU 10MAR2016	
TOLERANCES UNLESS OTHERWISE SPECIFIED:		APPV TONY YUAN 10MAR2016	DESC 2X8 S9U0G02 2.5G 4PPOE 100W CIRCUIT
0 PLC ±0.25 1 PLC ±0.25 2 PLC ±0.25 3 PLC ± 4 PLC ± ANGLES ± APPLICATION SPEC	MODEL NAME MAGJACK STACK 4PPOE	SIZE A1	CAGE CODE C=2250389
PRODUCT SPEC	APPLICATION SPEC	CUSTOMER DRAWING	RESTRICTED TO
		SCALE	SHEET 5 OF 5 REV 3