

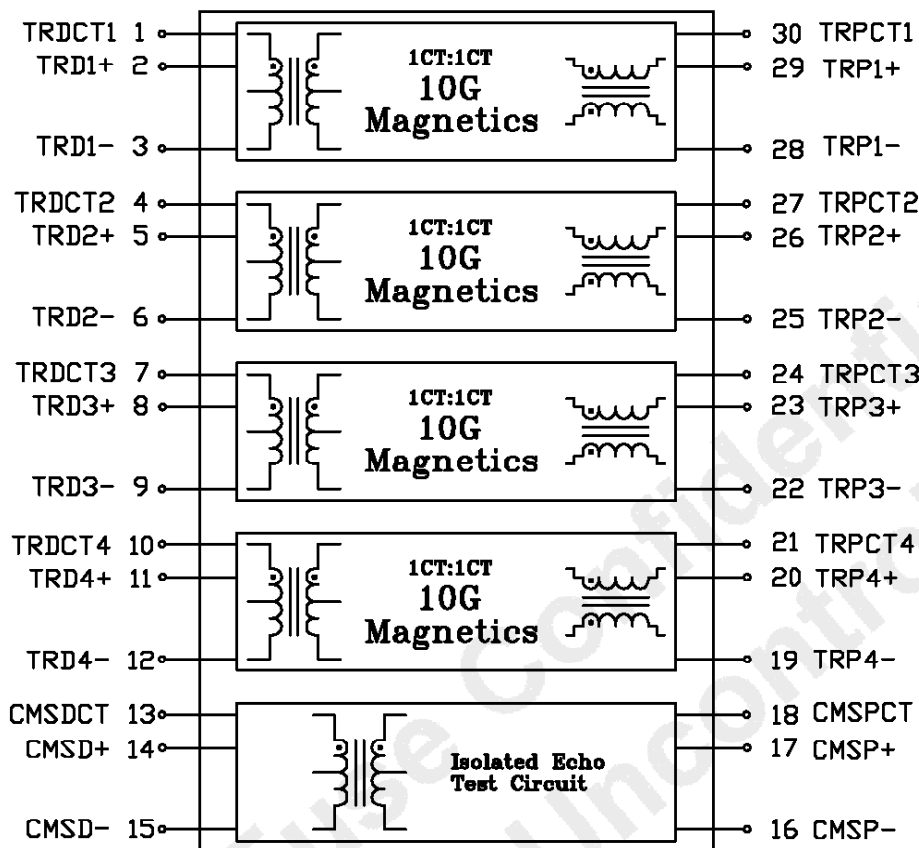
THE INFORMATION CONTAINED HEREIN IS CONSIDERED 'PROPRIETARY' TO BEL FUSE INC. AND SHALL NOT BE COPIED, REPRODUCED OR DISCLOSED WITHOUT THE WRITTEN APPROVAL OF BEL FUSE INC.

RoHS



ELECTRICAL SPECIFICATION @25°C

SCHEMATIC



TURNS RATIO

(2-1-3) : (29-30-29) 1CT : 1CT
 (5-4-6) : (26-27-25) 1CT : 1CT
 (8-7-9) : (23-24-22) 1CT : 1CT
 (11-10-12) : (20-21-19) 1CT : 1CT
 (14-13-15) : (17-18-16) 1CT : 1CT

OCL (16-17)

80uH MIN

POLARITY

2°&29°, 5°&26°
 8°&23°, 11°&20°, 14°&17°

INSERTION LOSS

| | | | | |
|-----------|-----|-------|-----|-----|
| FREQ(MHz) | 1 | 2-300 | 400 | 500 |
| dB MAX | 0.3 | 1.0 | 1.5 | 2.0 |

RETURN LOSS

| | | | | | | |
|-----------|-------|-----|-----|------|------|-----|
| FREQ(MHz) | 1-100 | 200 | 300 | 400 | 500 | 600 |
| dB MIN | 20 | 18 | 17 | 15.5 | 12.5 | 10 |

CM TO DM

REJECTION RATIO

| | | | | | | |
|-----------|----|-----|-----|-----|-----|-----|
| FREQ(MHz) | 50 | 100 | 200 | 300 | 400 | 500 |
| dB MIN | 48 | 42 | 36 | 33 | 30 | 28 |

CM TO CM

REJECTION RATIO

| | | | | | | |
|-----------|----|-----|-----|-----|-----|-----|
| FREQ(MHz) | 50 | 100 | 200 | 300 | 400 | 500 |
| dB MIN | 30 | 27 | 24 | 22 | 21 | 20 |

HIPOT

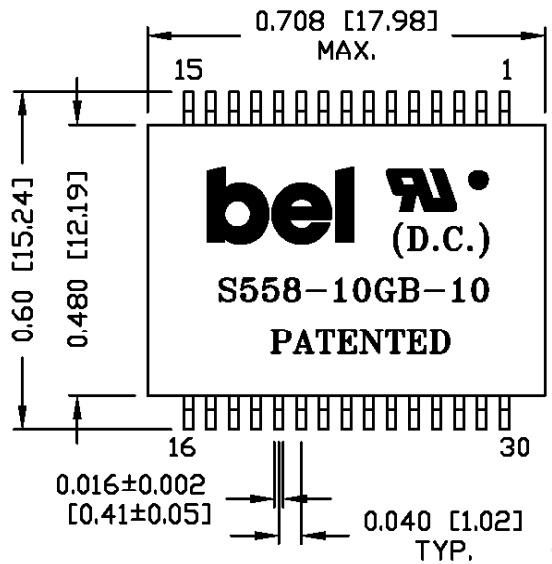
LEAKAGE CURRENT LESS THAN 1mA AT 2250VDC

SUPPORTED BALANCE DC LINE CURRENT TO THE CENTER TAPS OF TRANSFORMERS ON LINE SIDE :
 720mA MAX @57VDC CONTINUOUS
 1.2A MAX @57VDC FOR 200 MILLISECONDS

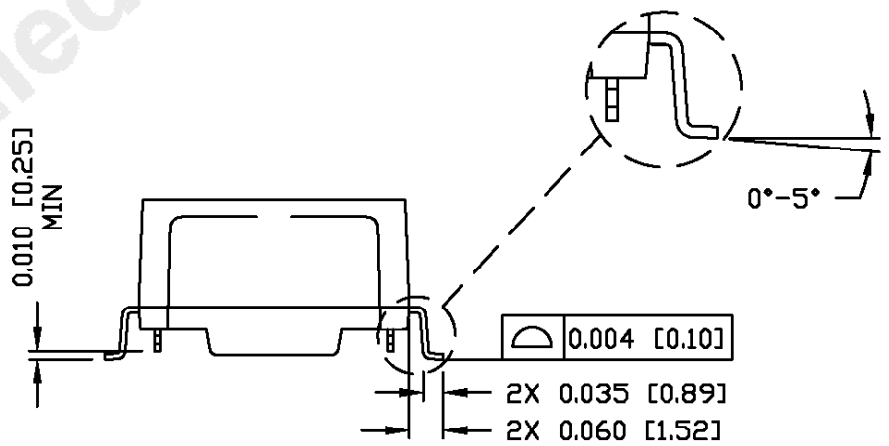
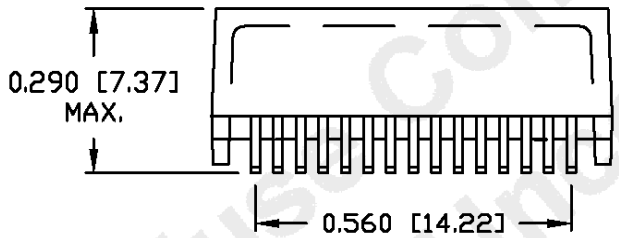
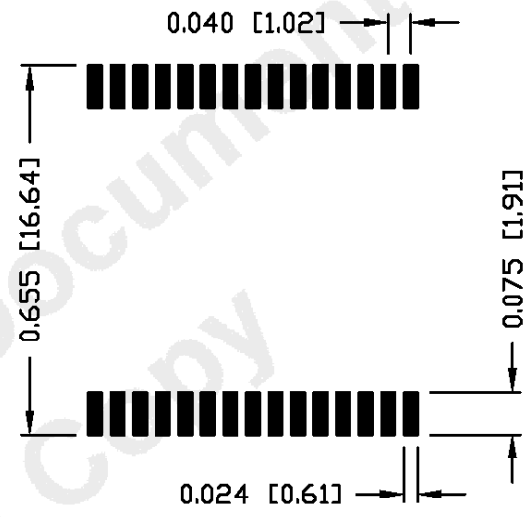
REV. : G PAGE : 2

| | | | | | | |
|---------------|------------|--------------------------|------------------------|---------------|-------------------------|----------------------------------|
| ORIGINATED BY | DATE | TITLE | PART NO. / DRAWING NO. | STANDARD DIM. | [] METRIC DIM. AS REF. | <p>POWER PROTECT CONNECT</p> |
| Alice Pang | 2020-06-29 | ELECTRICAL SPECIFICATION | S558-10GB-10 | TOL. IN INCH | UNIT : INCH [mm] | |
| DRAWN BY | DATE | | FILE NAME | .X | SCALE : N/A | |
| ZC Guo | 2020-06-29 | | S55810GB10G.DWG | .XX | SIZE : A4 | |
| | | | | .XXX | | |

THE INFORMATION CONTAINED HEREIN IS CONSIDERED "PROPRIETARY" TO BEL FUSE INC. AND SHALL NOT BE COPIED, REPRODUCED OR DISCLOSED WITHOUT THE WRITTEN APPROVAL OF BEL FUSE INC.



SUGGESTED PCB PAD LAYOUT



NOTES:

- STANDARD MARKING REFER TO DDC. HAND-WORK-04.
- PACKAGE CODE: "QACS001A".
- PATENT NO : U.S. PAT. 7429195 ; 7924130

REV. : D PAGE : 3

| | |
|----------------|------------|
| ORIGINATED BY | DATE |
| Lawrence Tsang | 2016-01-25 |
| DRAWN BY | DATE |
| ZC Guo | 2016-01-25 |

| |
|--------------------------|
| TITLE |
| MECHANICAL SPECIFICATION |

| |
|------------------------|
| PART NO. / DRAWING NO. |
| S558-10GB-10 |
| FILE NAME |
| S55810GB10D.DWG |

| | |
|---------------|-------------------------|
| STANDARD DIM. | [] METRIC DIM. AS REF. |
| TOL. IN INCH | UNIT : INCH [mm] |
| .X | SCALE : N/A |
| .XX | ±0.01 |
| .XXX | ±0.005 |

| | |
|------------------|-------------|
| UNIT : INCH [mm] | SCALE : N/A |
| SIZE : A4 | |

