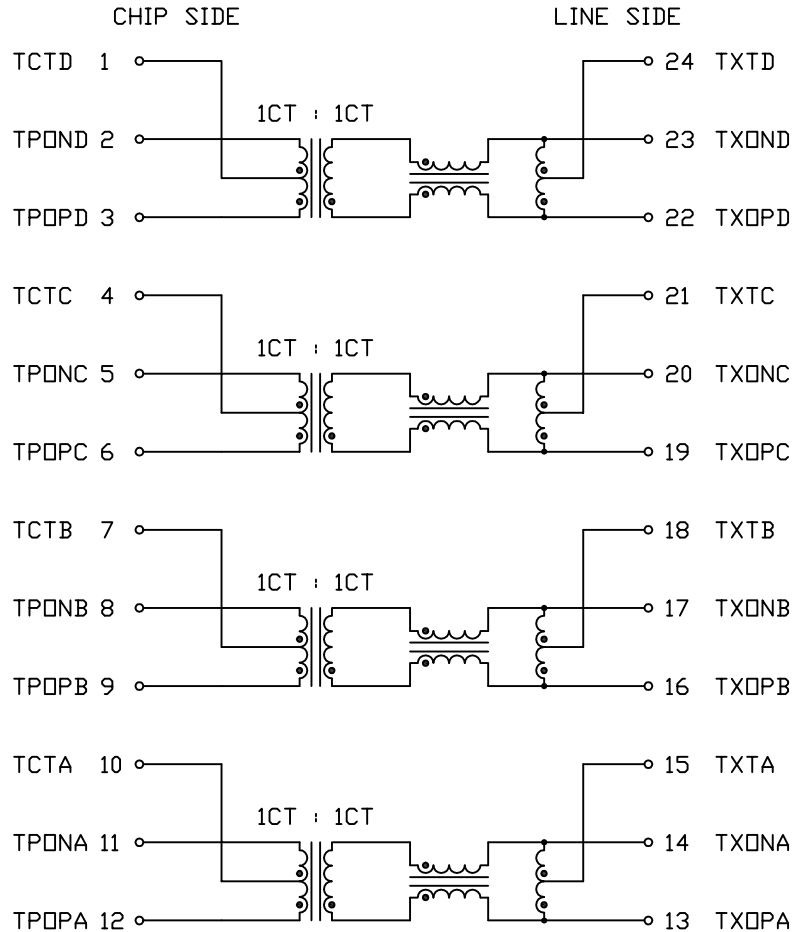


THE INFORMATION CONTAINED HEREIN IS CONSIDERED "PROPRIETARY" TO BEL FUSE INC. AND SHALL NOT BE COPIED, REPRODUCED OR DISCLOSED WITHOUT THE WRITTEN APPROVAL OF BEL FUSE INC.



SCHEMATIC



ELECTRICAL CHARACTERISTICS @25°C

<p>TURN RATIO          (3-1-2) : (22-24-23)          (6-4-5) : (19-21-20)          (9-7-8) : (16-18-17)          (12-10-11) : (13-15-14)</p>	<p>1CT : 1CT          1CT : 1CT          1CT : 1CT          1CT : 1CT</p>
<p>PHASE</p>	<p>PER DOT CONVENTION</p>
<p>DCL          PIN (23-22), (20-19)          PIN (17-16), (14-13)</p>	<p>350μH MIN.          @100kHz, 100mV          WITH 8mA DC BIAS</p>
<p>INSERTION LOSS</p>	<p>1.1dB MAX. @0.1 TO 1MHz          1.0dB MAX. @1 TO 80MHz          2.0dB MAX. @125MHz</p>
<p>RETURN LOSS          UNDER 100 OHM ±15% ENVIRONMENT</p>	<p>18dB MIN. @0.5 TO 40MHz          12-20LOG (f/80MHz) MIN.          @40 TO 100 MHz</p>
<p>COMMON TO COMMON REJECTION</p>	<p>30dB MIN. @1 TO 100 MHz</p>
<p>CROSSTALK</p>	<p>33-20LOG (f/100MHz) dB MIN.          @ 1 TO 100 MHz</p>
<p>HIPOT</p>	<p>LEAKAGE CURRENT LESS THAN 1mA AT 1500VAC</p>

REV. : A      PAGE : 2

ORIGINATED BY	DATE
Alice Pang	2021-01-27
DRAWN BY	DATE
ZC Guo	2021-01-27

TITLE
ELECTRICAL SPECIFICATION
S558-5999-T3-F

PART NO. / DRAWING NO.
S558-5999-T3-F
FILE NAME
S5585999T3FA.DWG

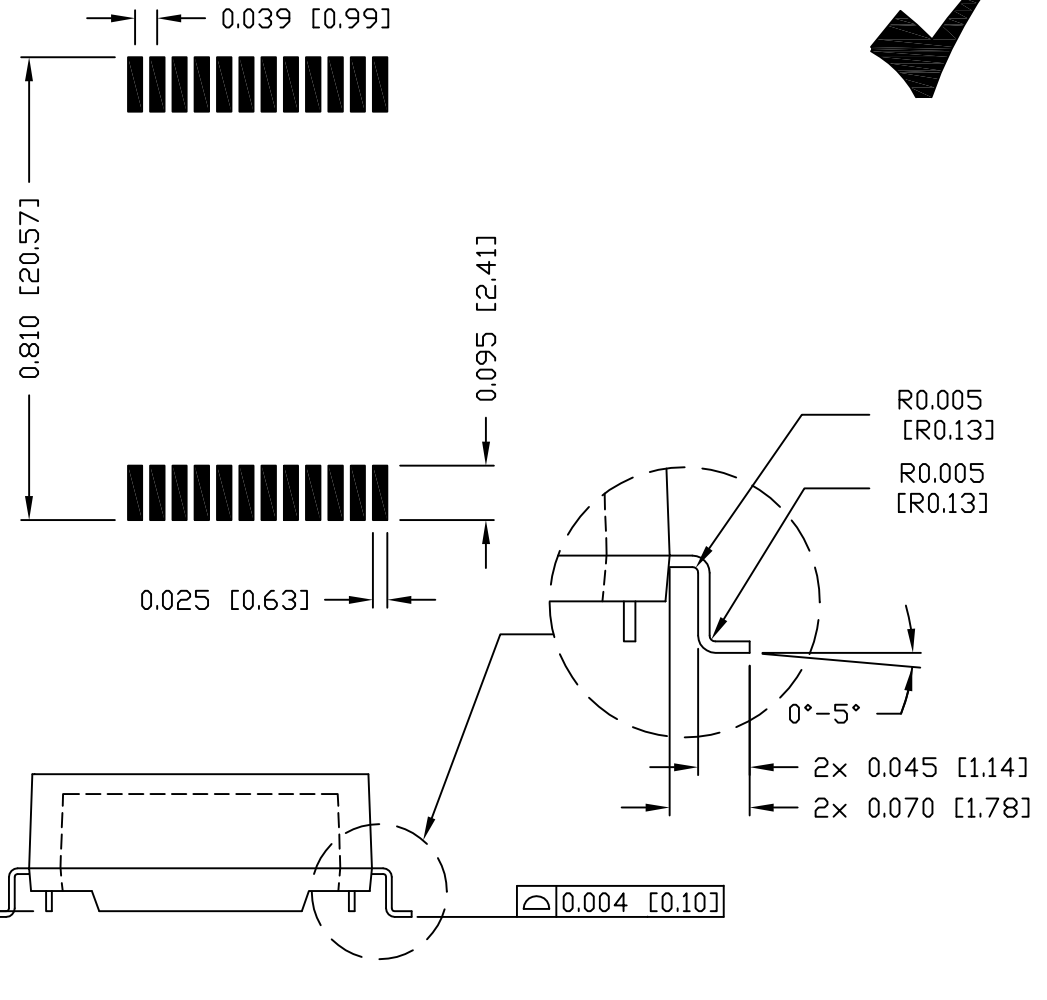
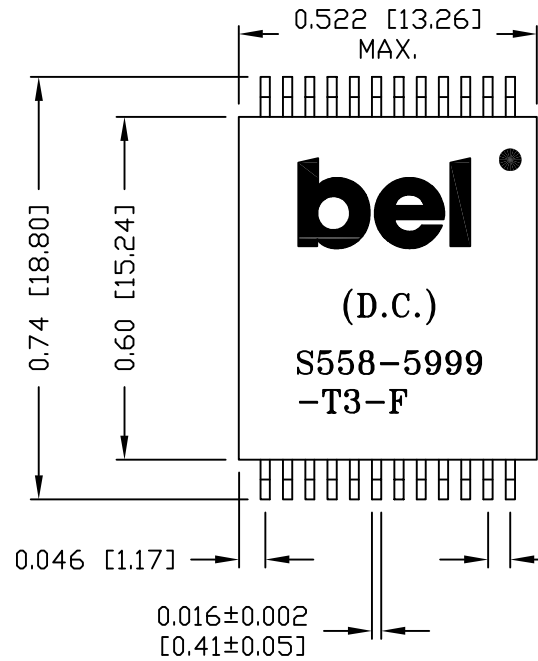
STANDARD DIM.	[ ] METRIC DIM. AS REF.
TOL. IN INCH	UNIT : INCH [mm]
.X	SCALE : N/A
.XX	SIZE : A4
.XXX	

UNIT : INCH [mm]
SCALE : N/A
SIZE : A4



THE INFORMATION CONTAINED HEREIN IS CONSIDERED "PROPRIETARY" TO BEL FUSE INC. AND SHALL NOT BE COPIED, REPRODUCED OR DISCLOSED WITHOUT THE WRITTEN APPROVAL OF BEL FUSE INC.

SUGGESTED PCB PAD LAYOUT



NOTES:

- STANDARD MARKING REFER TO DOC. HAND-WORK-04.
- PACKAGE CODE: "QTS001".

ORIGINATED BY	DATE
Lawrence Tsang	2021-01-27
DRAWN BY	DATE
ZC Guo	2021-01-27

TITLE
MECHANICAL DRAWING
S558-5999-T3-F

PART NO. / DRAWING NO.
S558-5999-T3-F
FILE NAME
S5585999T3FA.DWG

STANDARD DIM.	[ ] METRIC DIM. AS REF.
TOL. IN INCH	UNIT : INCH [mm]
.X	SCALE : N/A
.XX ±0.01	SIZE : A4
.XXX ±0.005	

REV. : A	PAGE : 3
----------	----------

