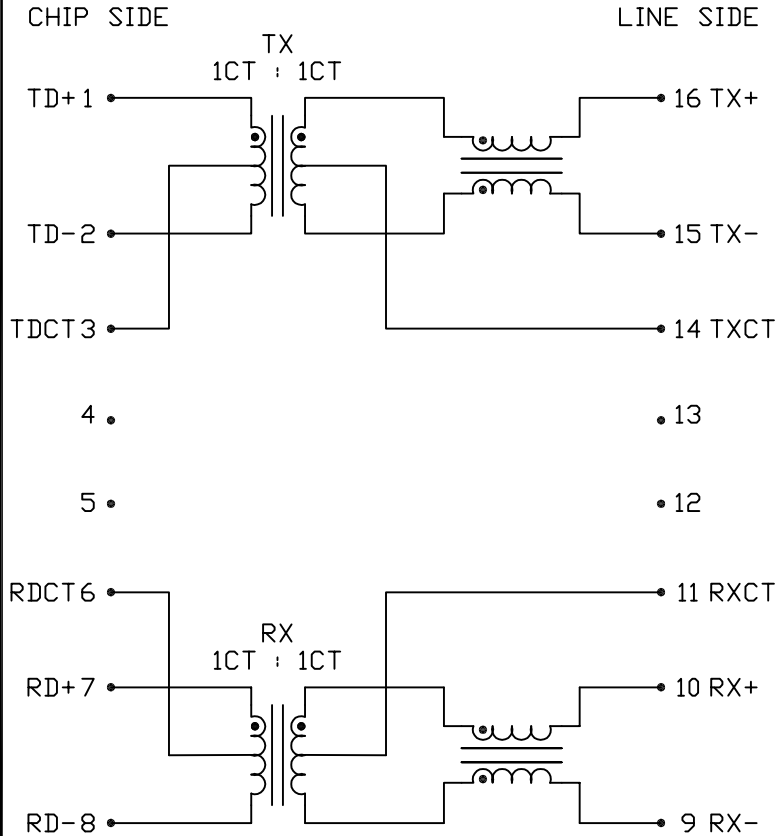


THE INFORMATION CONTAINED HEREIN IS CONSIDERED "PROPRIETARY" TO BEL FUSE INC. AND SHALL NOT BE COPIED, REPRODUCED OR DISCLOSED WITHOUT THE WRITTEN APPROVAL OF BEL FUSE INC.

ELECTRICAL CHARACTERISTICS @ 25°C



SCHEMATIC



<p>URNS RATIO Tx (1-3-2) : (16-14-15) Rx (7-6-8) : (10-11-9)</p>	<p>1CT : 1CT 1CT : 1CT</p>
<p>POLARITY □CL 1-2 = 7-8</p>	<p>PER DOT CONVENTION</p>
<p>LEAKAGE INDUCTANCE, L_e CHIP SIDE WITH LINE SIDE SHORT</p>	<p>350μH MIN @100kHz, 100mV W/8mA DC BIAS</p>
<p>INTERWINDING CAPACITANCE, C_w/w CHIP SIDE TO LINE SIDE</p>	<p>0.4μH MAX @1MHz, 20mV</p>
<p>DC RESISTANCE (1-2) = (7-8)</p>	<p>25pF MAX @1MHz, 20mV</p>
<p>INSERTION LOSS @100kHz TO 80MHz</p>	<p>1.3\squareHM MAX</p>
<p>RETURN LOSS (UNDER 100Ω \pm15% ENVIRONMENT) @0.5 TO 30 MHz @30 TO 60 MHz @60 TO 80 MHz</p>	<p>1.0dB MAX</p>
<p>COMMON TO COMMON MODE ATTENUATION @0.1 TO 80 MHz @80 TO 125 MHz @125 TO 250 MHz</p>	<p>16dB MIN 16-20LOG(f/30MHz) dB MIN 10dB MIN</p>
<p>CROSSTALK @0.1 TO 80 MHz @80 TO 125 MHz @125 TO 250 MHz</p>	<p>38dB MIN 30dB MIN 10dB MIN</p>
<p>COMMON TO DIFFERENTIAL MODE ATTENUATION @0.1 TO 80 MHz @80 TO 125 MHz @125 TO 250 MHz</p>	<p>38dB MIN 30dB MIN 10dB MIN</p>
<p>HIPOT OPERATING TEMPERATURE -40°C TO +85°C</p>	<p>LEAKAGE CURRENT LESS THAN 1mA AT 1500VAC</p>

ORIGINATED BY	DATE
Alice Pang	2021-01-28
DRAWN BY	DATE
ZC Guo	2021-01-28

TITLE
10/100BASE-T MODULE
S558-5999-W2-F

PART NO. / DRAWING NO.
S558-5999-W2-F
FILE NAME
S5585999W2FA.DWG

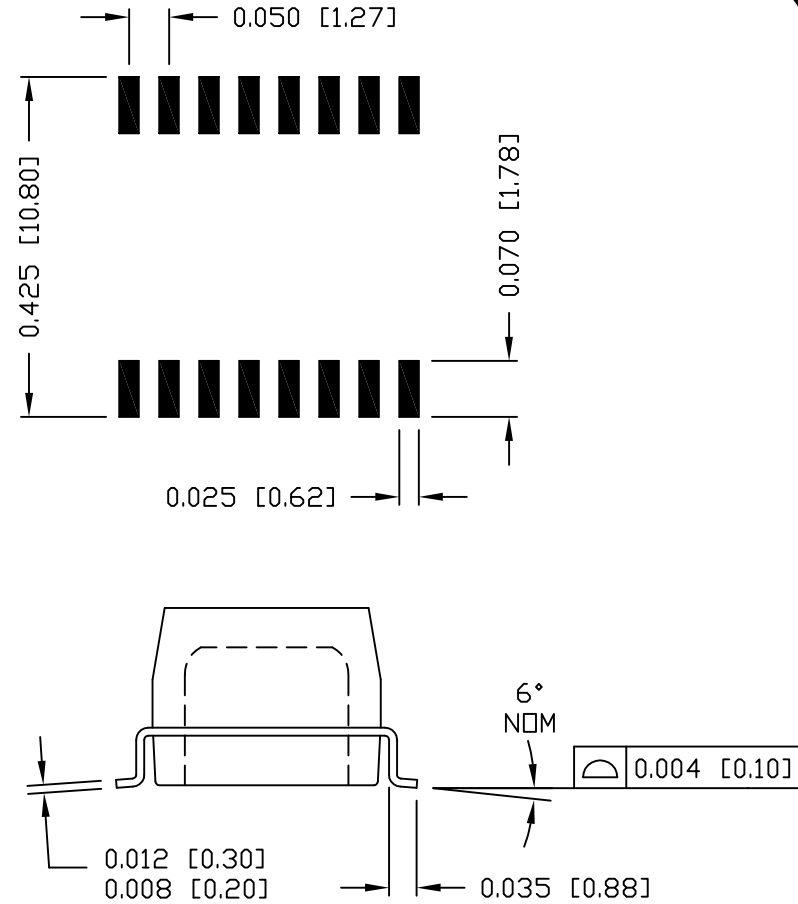
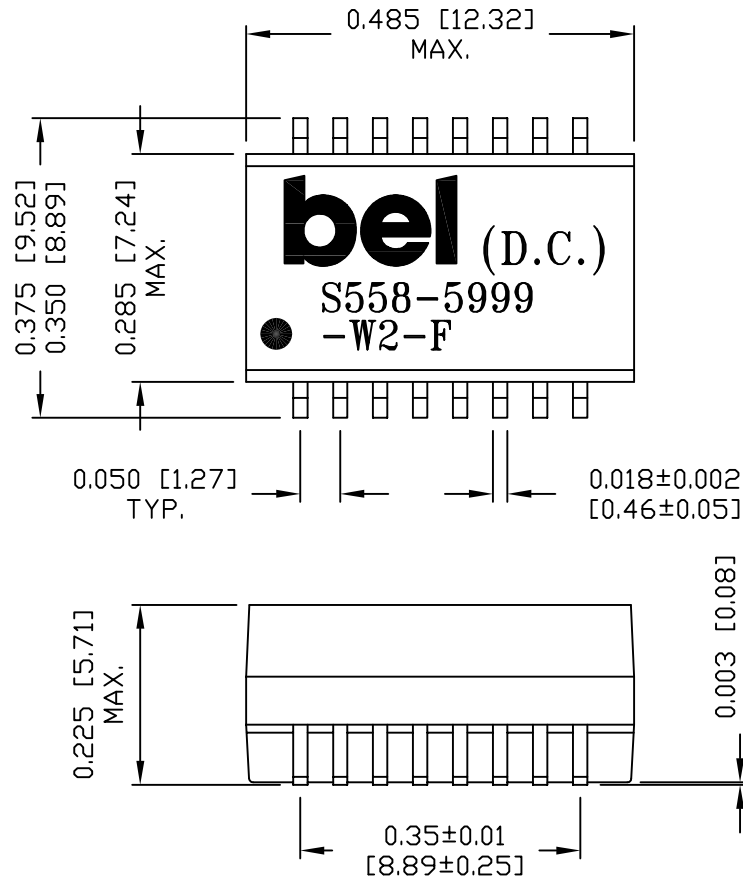
STANDARD DIM.	[] METRIC DIM. AS REF.
TOL. IN INCH	UNIT : INCH [mm]
.X	SCALE : N/A
.XX	SIZE : A4
.XXX	

REV. : A	PAGE : 2

THE INFORMATION CONTAINED HEREIN IS CONSIDERED "PROPRIETARY" TO BEL FUSE INC. AND SHALL NOT BE COPIED, REPRODUCED OR DISCLOSED WITHOUT THE WRITTEN APPROVAL OF BEL FUSE INC.



SUGGESTED PCB PAD LAYOUT



NOTES:

- STANDARD MARKING REFER TO DOC. HAND-WORK-04.
- PACKAGE CODE: "QBS001".

ORIGINATED BY	DATE
Lawrence Tsang	2021-01-28
DRAWN BY	DATE
ZC Guo	2021-01-28

TITLE
MECHANICAL DRAWING
S558-5999-W2-F

PART NO. / DRAWING NO.
S558-5999-W2-F
FILE NAME
S5585999W2FA.DWG

STANDARD DIM.	[] METRIC DIM. AS REF.
TOL. IN INCH	
.X	
.XX	±0.01
.XXX	±0.005

UNIT : INCH [mm]
SCALE : N/A
SIZE : A4

REV. : A	PAGE : 3
<p>POWER PROTECT CONNECT</p>	