

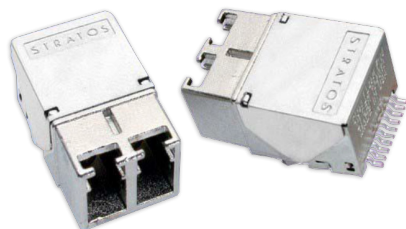
LxK-S-T2xx Low Profile Dual Channel Optical Transmitter

Dual TX Channel, Gigabit Ethernet / 1x Fiber Channel
Applications 3.3V, 850nm, VCSEL, Multimode, Up to 550 Meters

Applications

The LxK-S-T2xx multimode optical fiber transmitter provides low profile, cost effective solutions for Gigabit Ethernet and 1x Fiber Channel multimode optical fiber data links with a duplex LC connector interface.

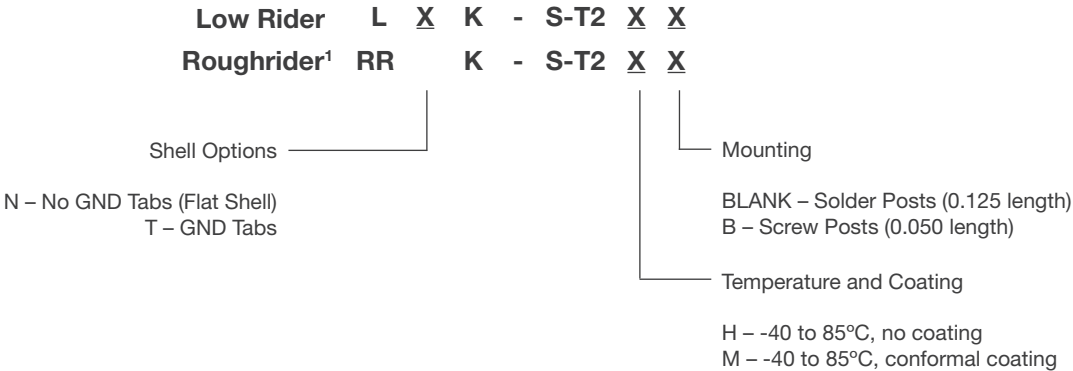
These transmitters are fully compliant with the IEEE Gigabit Ethernet and 1x Fiber Channel standards but can be used for any other data communications purpose within their operating parameters.



Features

- Dual TX transmitter, higher TX port density
- Low Profile Design - 0.386 inches max. height
- Surface mount I/O pins for high speed signal integrity
- All metal body, solder or screw mount options
- Industrial Temp Range, Vibration tolerant design
- Individual (separate) +3.3 V power supply per port
- Industry standard duplex multimode LC receptacle
- Full compliance to IEEE and ANSI requirements
- EN-60825/ IEC-825 / CDRH Class 1 Compliant
- Optional Parylene C Conformal Coating
- Optional addition of fiber pigtail

Ordering Information



Transmitters: VCCTX = 3.135V to 3.465V, T_a = Operating Temperature Range

Parameter	Symbol	MIN	Typical	MAX	Unit
Optical Output Power ¹	P _o	-9.5		-4	dBm
Extinction Ratio	ER	9			dB
Coupled Power Ratio	CPR	9			dB
Total Jitter ¹			80	153	ps

1. BER=10⁻¹² @ 1.25Gbps, PRBS 2⁷-1, NRZ, Compliant with ANSI X3.297 / FC-PH-2

Link Distances

Application	Fiber Specification	Distance
Gigabit Ethernet – IEEE 802.3z	62.5/125 – 160MHz*Km	220M
	62.5/125 – 200MHz*Km	275M
	50/125 – 400MHz*Km	500M
	50/125 – 500MHz*Km	550M
Fiber Channel – ANSI X3.297	62.5/125 – 160MHz*Km	300M
	50/125 – 500MHz*Km	500M

For more information on this product consult the LxK-S-T2xx product data sheet.

